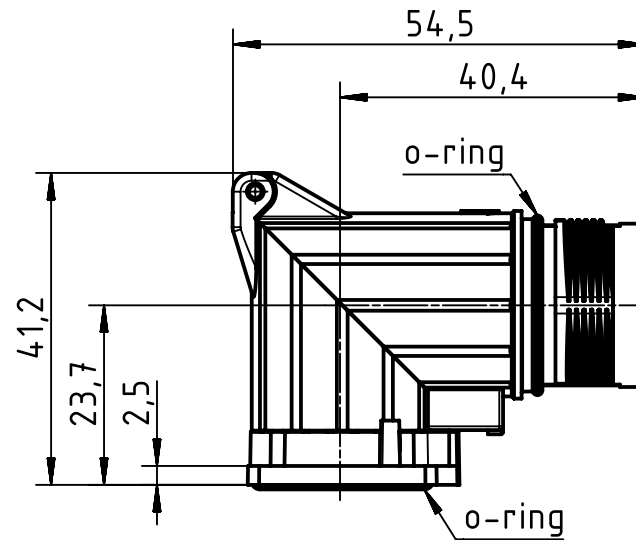
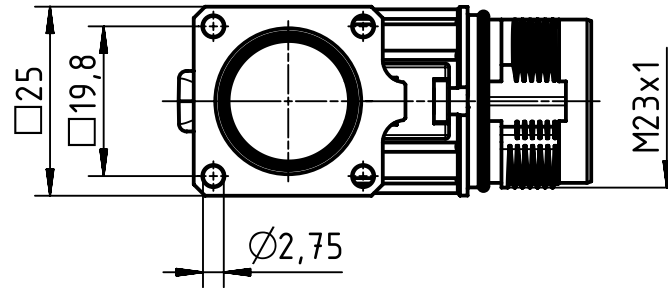
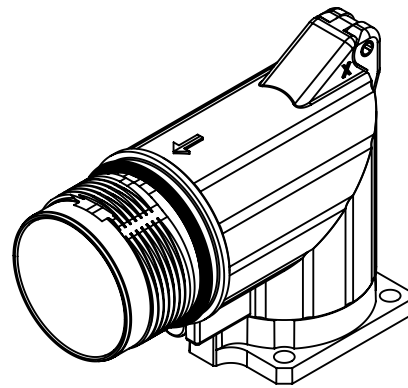
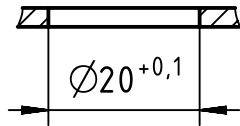
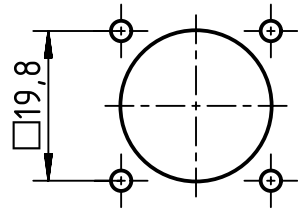


panel cut out



All Dimensions in mm Original Size DIN A4		Scale 1:1	Free size tol.		Ref.
All rights reserved Department EL PD		Created by DYCKC	Inspected by GRUBES	Standardisation TIEMANNA	Sub.
HARTING Electric GmbH & Co. KG D-32339 Espelkamp		Title M23 P HBMA-rotatable 25x25 2,7mm			Date 2019-07-19
		State Final Release			Doc-Key / ECM-Nr. 100736288/UGD/001/B 500000155114
		Type TB	Number 09 15 600 0902		Rev. B Page 1/1