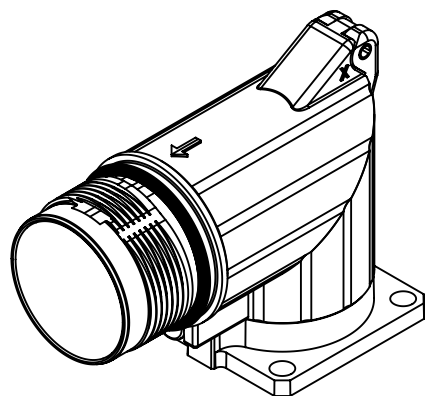
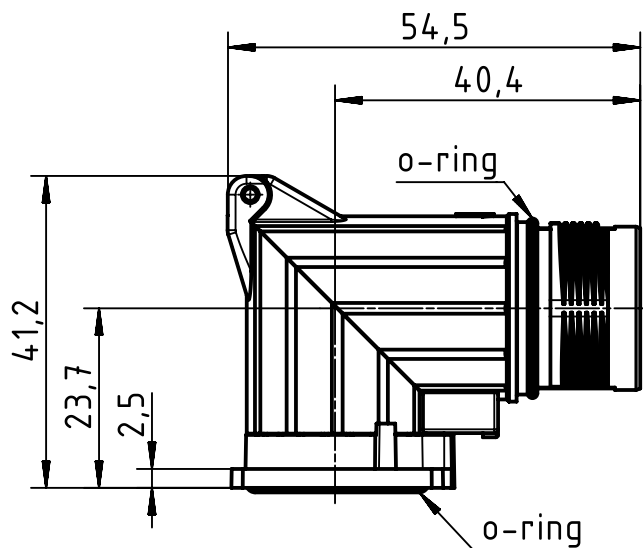
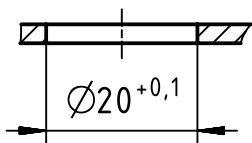
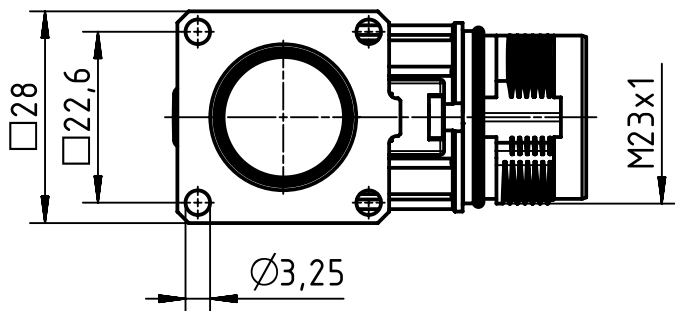
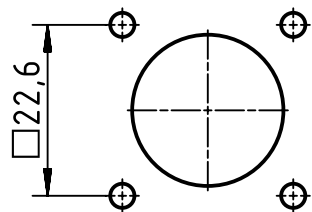



panel cut out



| | | | | | |
|---|--|--|------------------------|-----------------------------|--|
|  | All rights reserved Department EL PD HARTING Electric GmbH & Co. KG D-32339 Espelkamp | All Dimensions in mm Original Size DIN A4 | Scale 1:1 | Free size tol. | Ref. Sub. |
| | | Created by DYCKC | Inspected by GRUBES | Standardisation TIEMANNA | Date 2019-07-19 |
| Title M23 P HBMA - rotatable 28x28 3,2mm | | | | | Doc-Key / ECM-Nr. 100736298/UGD/001/B 500000155114 |
| Type TB | | | | Number 09 15 600 0912 | Rev. B |
| | | | | | Page 1/1 |