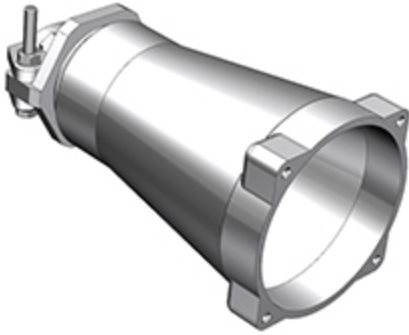


899.SD2GM

ALUMINUM HANDLES



Product Approvals

TECHDATA		STANDARDS AND LAWS	
Commercial series	OPTIMA-METAL Series	EN 60309-1 (1999)	[European Standard] Plugs, socket-outlets and couplers for industrial purposes. Part 1: General requirements
Product type	Accessory	EN 60309-2 (1999)	[European Standard] Plugs, socket-outlets and couplers for industrial purposes. Part 2: Dimensional interchangeability requirements for pin and contact-tube accessories of harmonized configurations
Synthetical description	ALUMINUM HANDLES		
Material	DIE-CAST ALUMINIUM		
Protection degree	Splash proof	EN 60309-1/A1 (2007)	[European Standard] Plugs, socket-outlets and couplers for industrial purposes. Part 1: General requirements
Protection degree IP	IP66	EN 60309-2/A1 (2007)	[European Standard] Plugs, socket-outlets and couplers for industrial purposes. Part 2: Dimensional interchangeability requirements for pin and contact-tube accessories of harmonized configurations
Protection degree IK	IK09	EN 60309-1/A2 (2012)	[European Standard] Plugs, socket-outlets and couplers for industrial purposes. - Part 1: General requirements
		EN 60309-2/A2 (2012)	[European Standard] Plugs, socket-outlets and couplers for industrial purposes. - Part 2: Dimensional interchangeability requirements for pin and contact-tube accessories of harmonized configurations
		DIRECTIVE LOW VOLTAGE 2014/35 /UE	[European Directives] Low Voltage Directive