

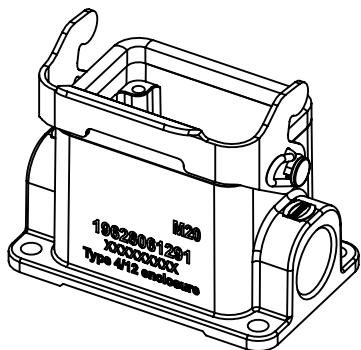
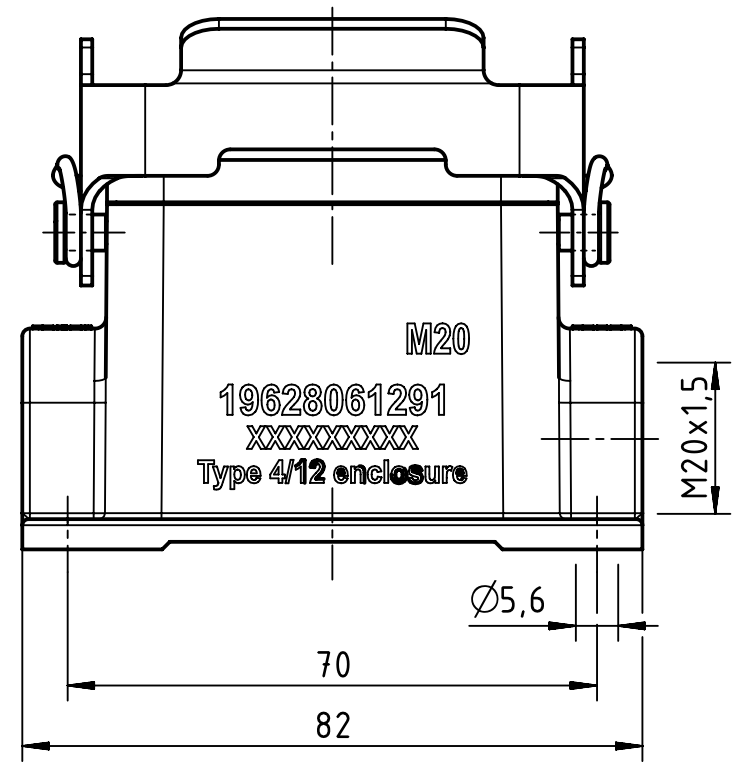
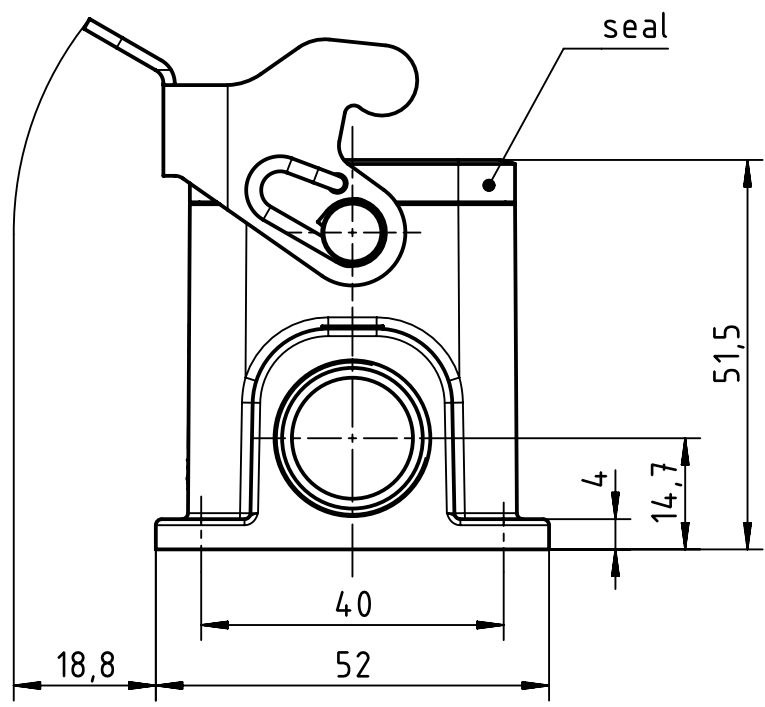
1 2 3 4 5 6

A

B

C

D



	All Dimensions in mm Original Size DIN A4		Scale 1:1	Free size tol.		Ref.	
						Sub.	
	All rights reserved		Created by SPRENB	Inspected by GERB	Standardisation 302077	Date 2021-06-01	
	Department EL PD					State Final Release	
HARTING			Title Han High Temp 6B-asg1-LB-M20			Doc-Key / ECM-Nr. 100576055/UGD/002/E 500000195969	
D-32339 Espelkamp			Type TB	Number 19 62 806 1291			
						Rev. E	Page 1/1