

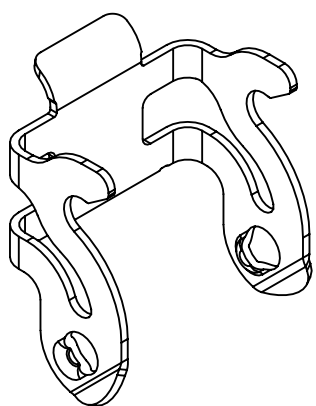
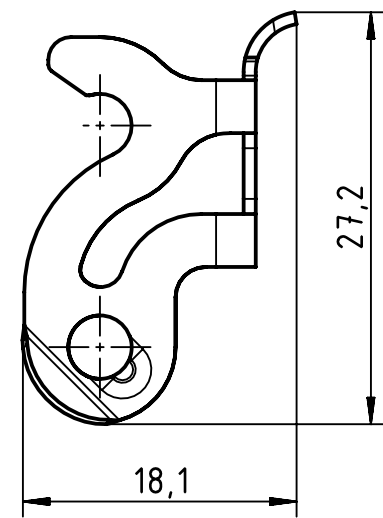
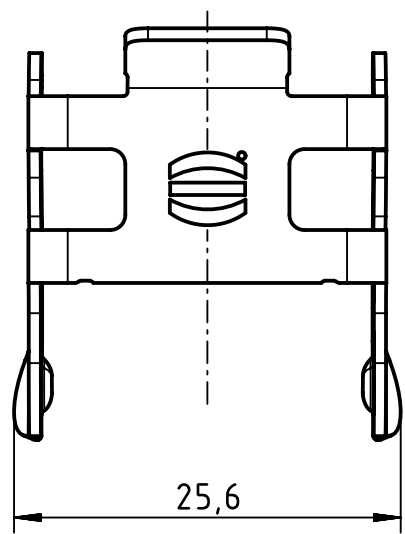
1 2 3 4 5 6


A

B

C

D



	All rights reserved		Created by HOLLERT		Inspected by LOETKEMANN		Standardisation RUETERA		Date 2020-08-07		State Final Release	
	Department EL PD		Title Han 1A-lever metal		Doc-Key / ECM-Nr. 100808774/UGD/001/B 500000172014		Type TB		Number 09 10 000 5200		Rev. B	
HARTING Electric GmbH & Co. KG D-32339 Espelkamp											Page 1/1	