

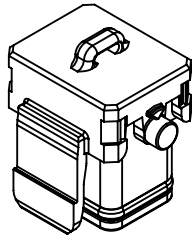
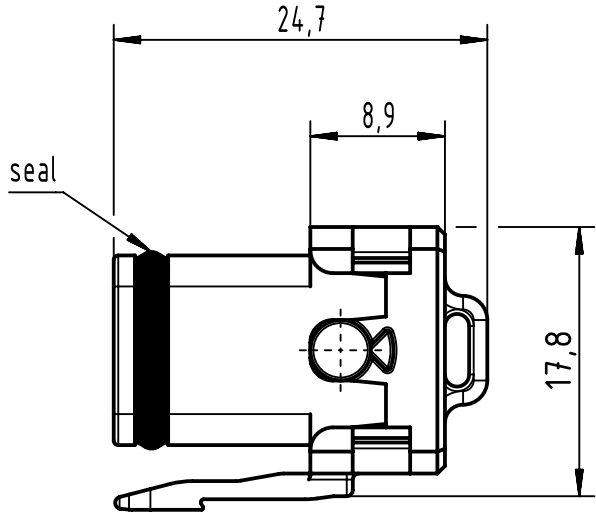
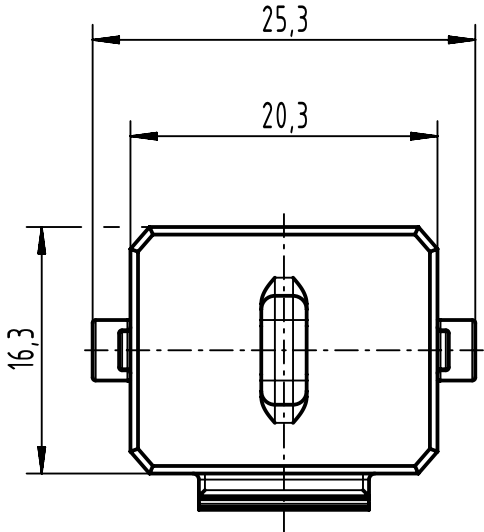
1 2 3 4 5 6


A

B

C

D



	All rights reserved Department EL PD	All Dimensions in mm Original Size DIN A4	Scale 2:1	Free size tol.		Ref.
		HARTING D-32339 Espelkamp	Created by BALSAN	Inspected by 402625	Standardisation	Date 2021-09-27
Title Han 1A-CP-Lever/Latch-male insert-V1						Doc-Key / ECM-Nr. 100885648/UGD/001/C 500000202995
			Type TB	Number 09 10 000 5401		Rev. C
						Page 1/1