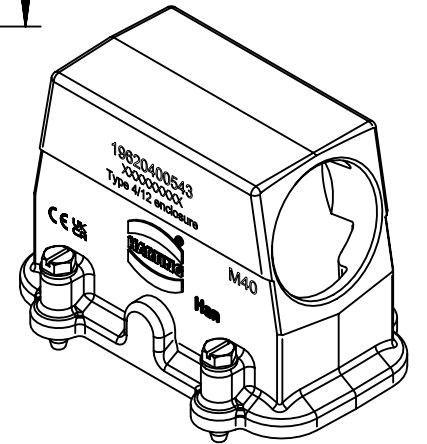
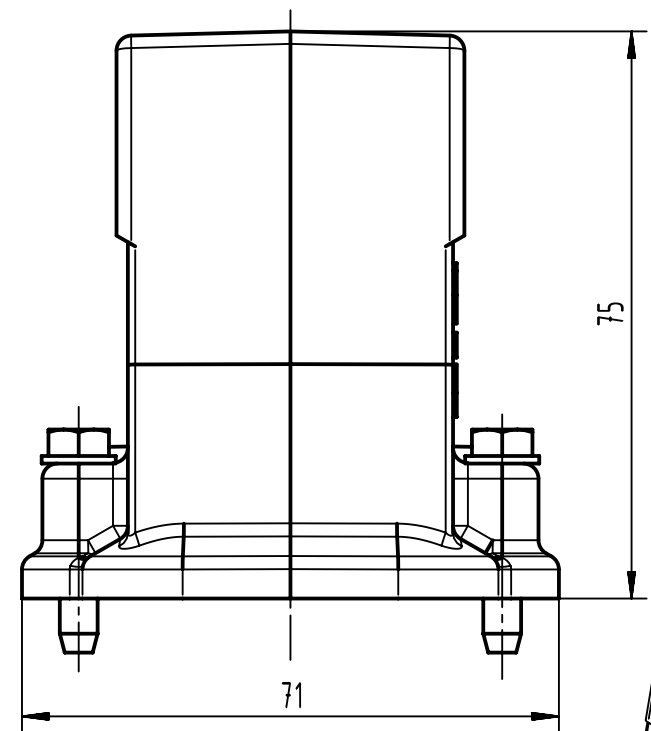
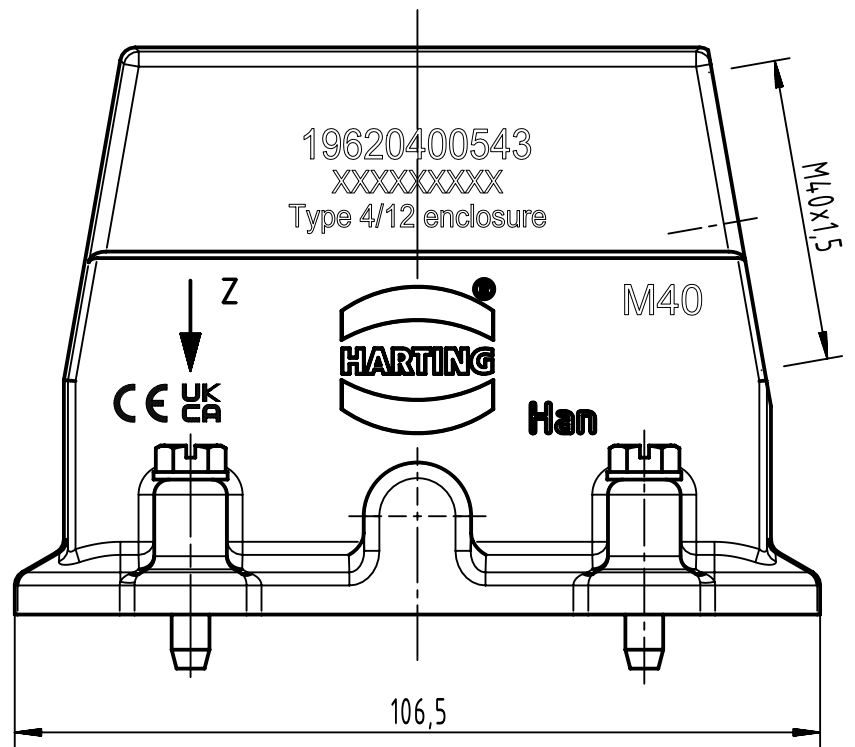
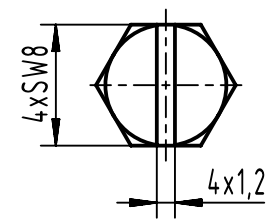


1 2 3 4 5 6

A
B
C
D



Z (2:1)



	All rights reserved Department EL PD	All Dimensions in mm Original Size DIN A4		Scale 1:1	Free size tol.	Ref.
		Created by HELLMANN	Inspected by GERB	Standardisation	Date 2023-05-03	State Final Release
HARTING D-32339 Espelkamp		Title Han 40EMV-gs-M40			Doc-Key / ECM-Nr. 100791723/UGD/002/C 500000242901	
		Type TB	Number 19 62 040 0543		Rev. C	Page 1/1