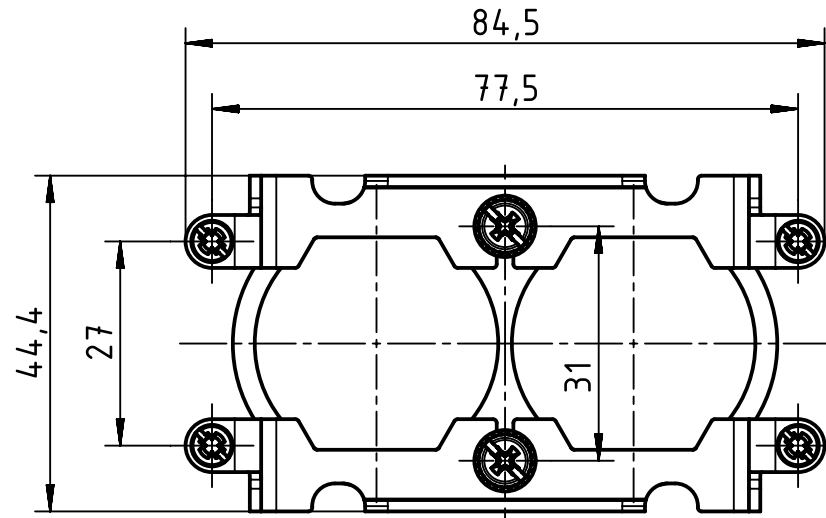


1 2 3 4 5 6

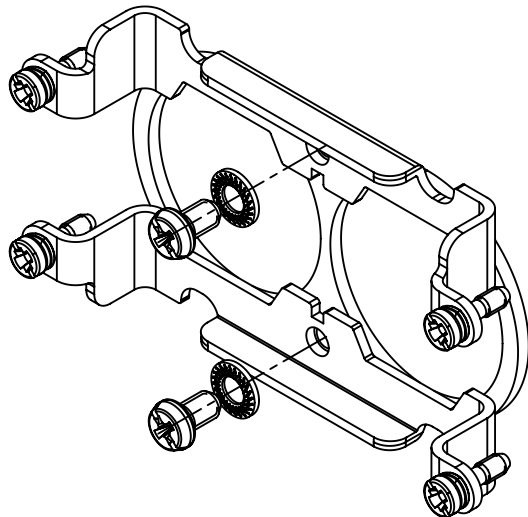
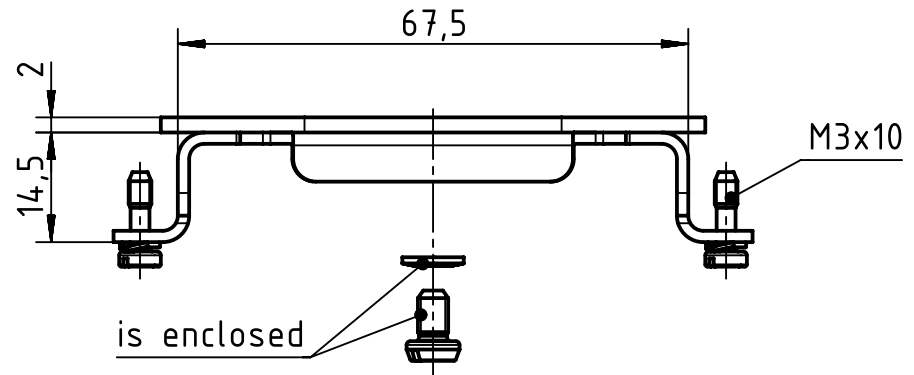
A

1	2	3	4	⊕
1	2	3	4	⊕
1	2	3	4	⊕
1	2	3	4	⊕

Stickers to mark the contacts and PE contacts on the frame acc. to DIN EN 61984, 6.2.3



B



C

D

	All rights reserved Department EL PD - DE	All Dimensions in mm Original Size DIN A4		Scale 1:1	Free size tol.	Ref. Sub.
		Created by KLASSENP	Inspected by BERGHORN	Standardisation TIEMANNA	Date 2017-03-06	State Final Release
HARTING Electric GmbH & Co. KG D-32339 Espelkamp		Title Han 2HC-Halterung			Doc-Key / ECM-Nr. 100132442/UGD/005/A 500000116440	
		Type TB	Number 09 11 000 9952		Rev. A	Page 1/1