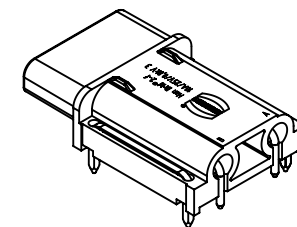
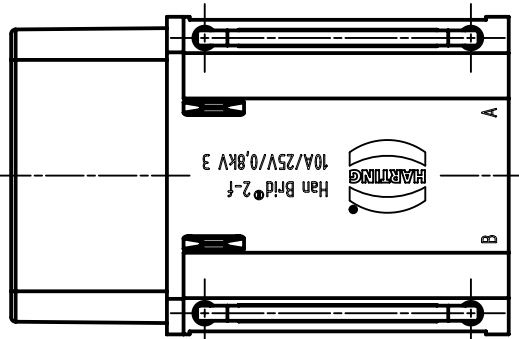
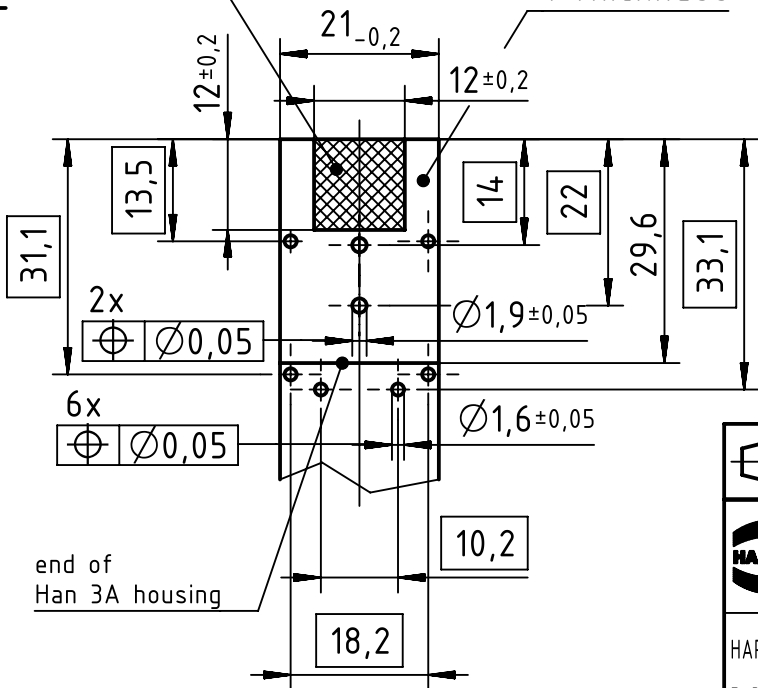


PCB-layout

1:1

contact surface for shielding

1 thickness



	All rights reserved Department EL PD	All Dimensions in mm Original Size DIN A4		Scale 2:1	Free size tol.	Ref. Sub.	
		Created by SPRENB	Inspected by BERGHORN	Standardisation GARSKE	Date 2019-01-23	State Final Release	
HARTING Electric GmbH & Co. KG D-32339 Espelkamp		Title Han Brid-bu-lp Cu-Bus-Modul(G) bestückt				Doc-Key / ECM-Nr. 100550062/UGD/003/B 500000145807	
		Type TB	Number 09 12 002 2701			Rev. B	Page 1/1