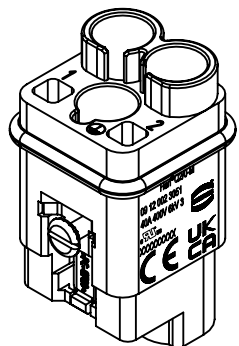
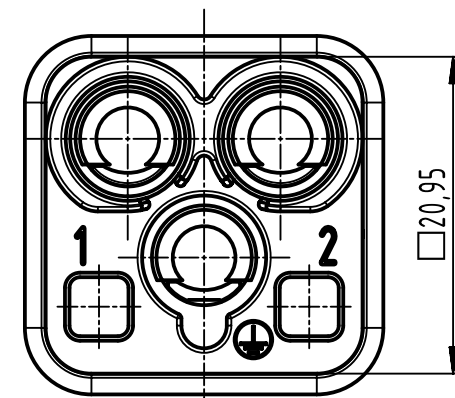
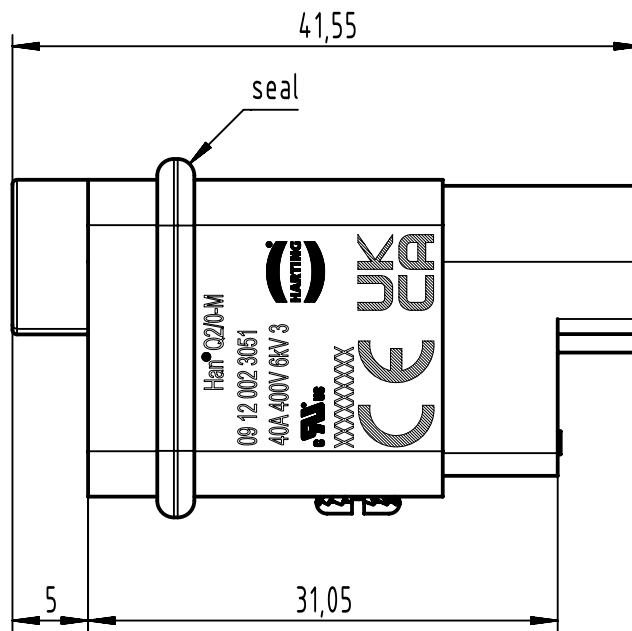


insert fixing screw
is enclosed



	All Dimensions in mm Original Size DIN A4		Scale 2:1	Free size tol.		Ref.	
						Sub.	
	All rights reserved		Created by 100887	Inspected by SUNDERMEIER	Standardisation	Date 2022-10-28	State Final Release
	Department EL PD		Title Han Q 2/0-m-crimp			Doc-Key / ECM-Nr. 100206619/UGD/007/B 500000225850	
HARTING D-32339 Espelkamp			Type TB	Number 09 12 002 3051		Rev. B	Page 1/1