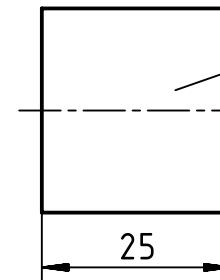
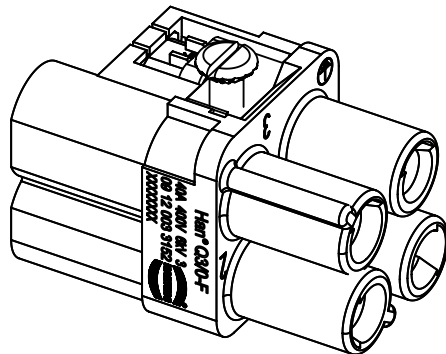


insert fixing screw M3x6
separately enclosed

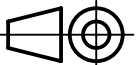

1:1



shrinking tube
enclosed separately



stripping length 10 mm^2 (AWG 8) = 12 mm

 All Dimensions in mm Original Size DIN A4	Scale	Free size tol.		Ref.	
	2:1			Sub.	
 All rights reserved Department EL PD	Created by	Inspected by	Standardisation	Date	State
	HELLMANN	RIEPE	RUETERA	2019-04-18	Final Release
HARTING Electric GmbH & Co. KG D-32339 Espelkamp	Title			Doc-Key / ECM-Nr.	
	Han Q3/0-f-crimp HV			100755105/UGD/002/B 500000150131	
Type	Number	Rev.	Page		
TB	09 12 003 3152	B	1/1		