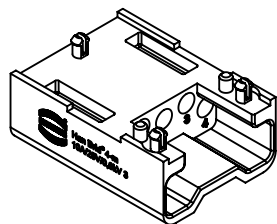
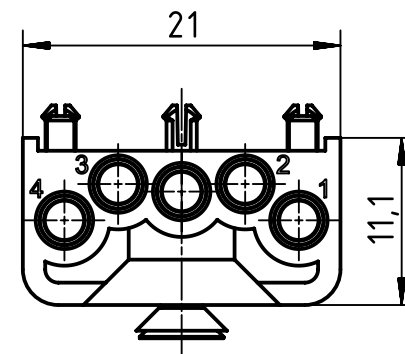
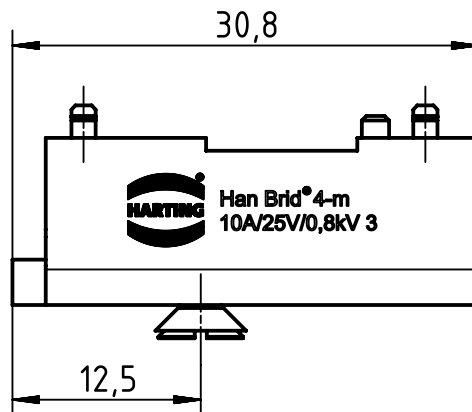
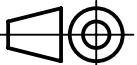



countersunk screw M3x6  
enclosed separately



 All Dimensions in mm Original Size DIN A4	Scale	Free size tol.			Ref.
	2:1				Sub.
 All rights reserved Department EL PD - DE	Created by	Inspected by	Standardisation	Date	State
	RULLKOETTER	RIEPE	RUETERA	2017-10-04	Final Release
HARTING Electric GmbH & Co. KG D-32339 Espelkamp	Title				Doc-Key / ECM-Nr.
	Han Brid-Sti-c (G)				100205812/UGD/004/B 500000126086
Type		Number		Rev.	Page
TB		09 12 004 3011		B	1/1