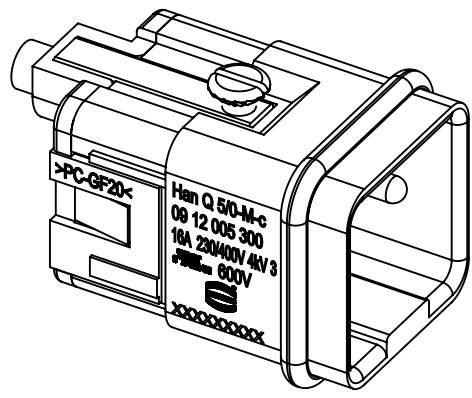
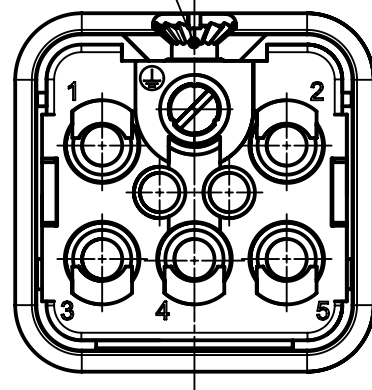
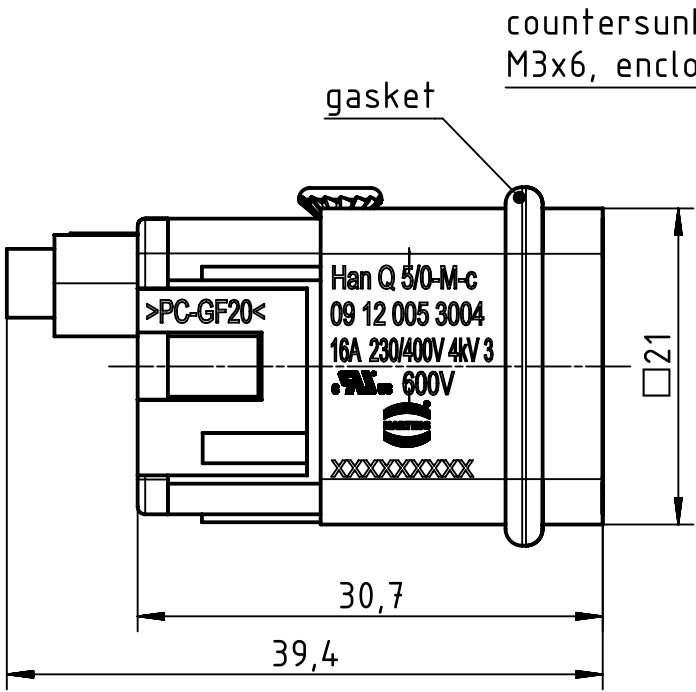
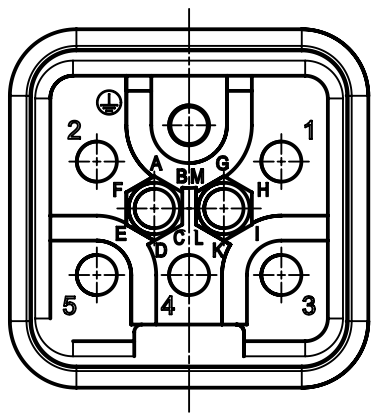


1 2 3 4 5 6

A
B
C
D



	All rights reserved Department EL PD - DE	All Dimensions in mm Original Size DIN A4		Scale 2:1	Free size tol.	Ref.
		Created by MOELLERLI	Inspected by BEISCHER	Standardisation RUETERA	Date 2018-04-11	State Final Release
HARTING Electric GmbH & Co. KG D-32339 Espelkamp		Title Han Q 5/0-M-c with coding			Doc-Key / ECM-Nr. 100692589/UGD/000/A 500000132715	
		Type TB	Number 09 12 005 3004		Rev. A	Page 1/1