

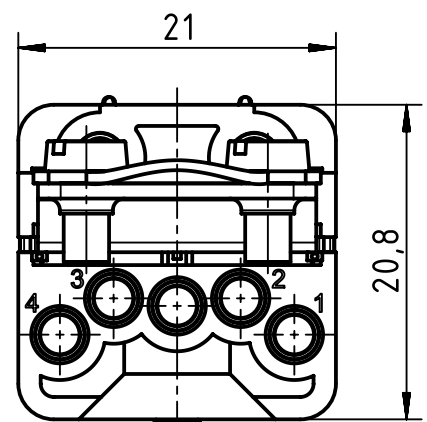
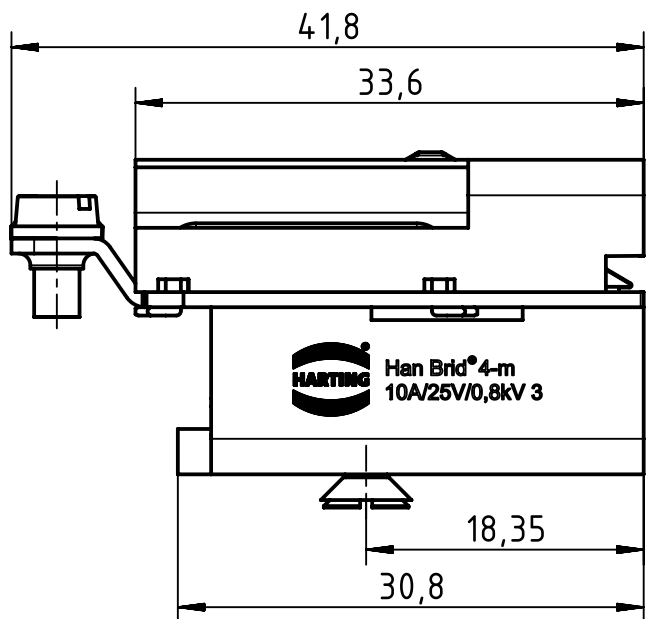
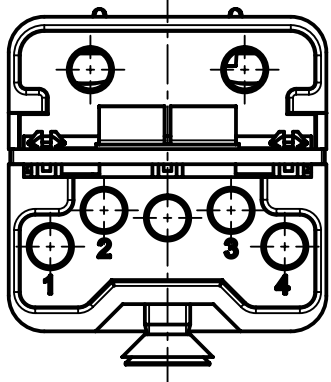
1 2 3 4 5 6

A

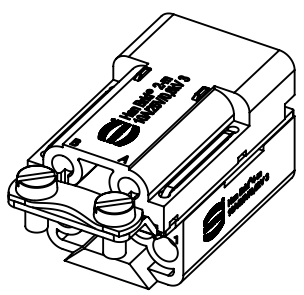
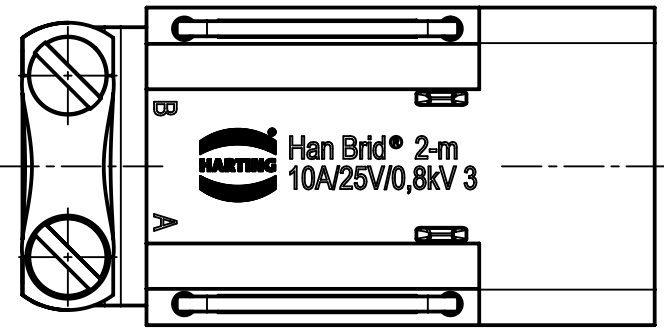
B

C

D



countersunk screw M3x6 enclosed separately



	All Dimensions in mm Original Size DIN A4	Scale	Free size tol.			Ref.
		2:1				Sub.
	All rights reserved Department EL PD - DE	Created by	Inspected by	Standardisation	Date	State
		RULLKOETTER	BERGHORN	RUETERA	2018-01-22	Final Release
HARTING Electric GmbH & Co. KG D-32339 Espelkamp		Title Han Brid-Wanddurchf.+ Cu-Bus Sti-c (G)				Doc-Key / ECM-Nr. 100085907/UGD/005/B 500000130161
		Type	Number			Rev.
		TB	09 12 006 2694			B 1/1