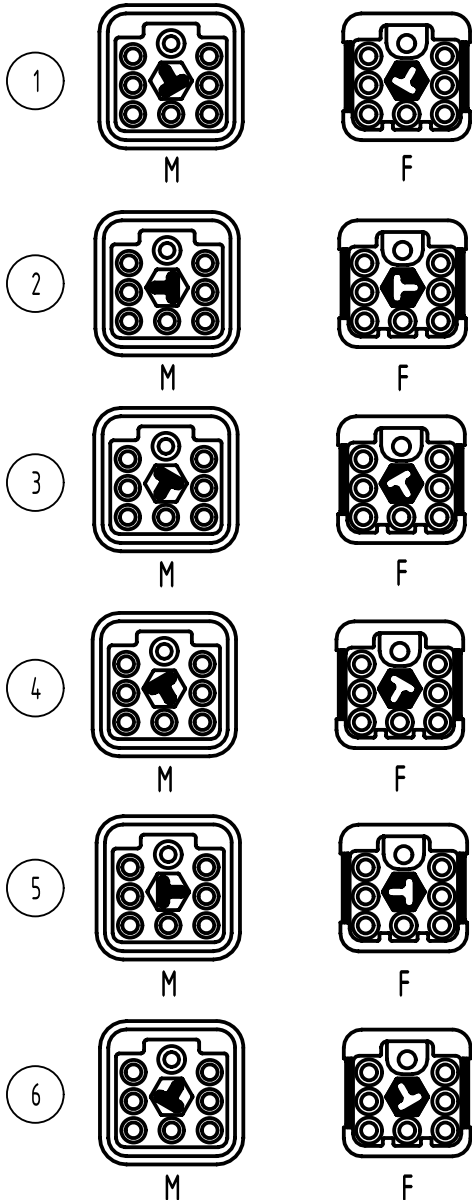
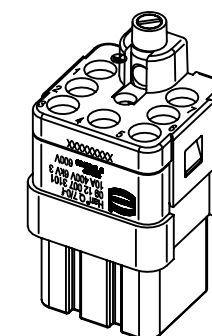
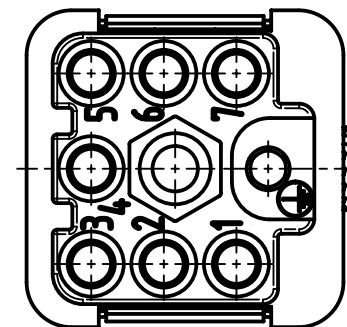
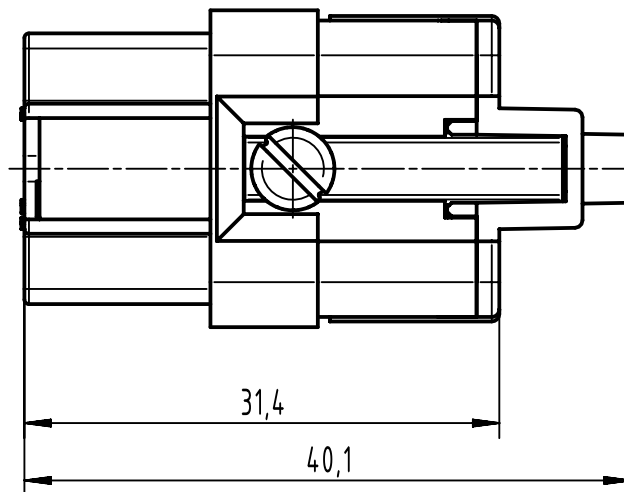
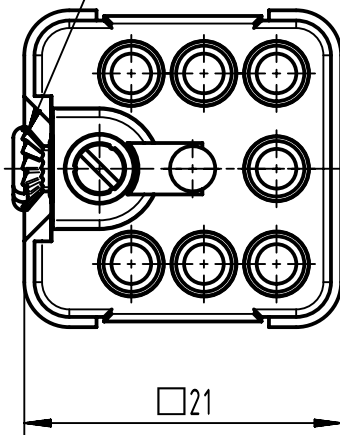



coding possibilities with  
coding pin 09 12 000 9902



insert fixing screw is  
enclosed separately



	All rights reserved Department EL PD	All Dimensions in mm Original Size DIN A4		Scale 2:1	Free size tol.	Ref.
		Created by BALSAN	Inspected by 402602	Standardisation SAP_WFRT	Date 2022-10-17	State Final Release
HARTING D-32339 Espelkamp		Title Han Q 7/0-F			Doc-Key / ECM-Nr. 100132519/UGD/007/C 500000227852	
		Type TB	Number 09 12 007 3101		Rev. C	Page 1/1