

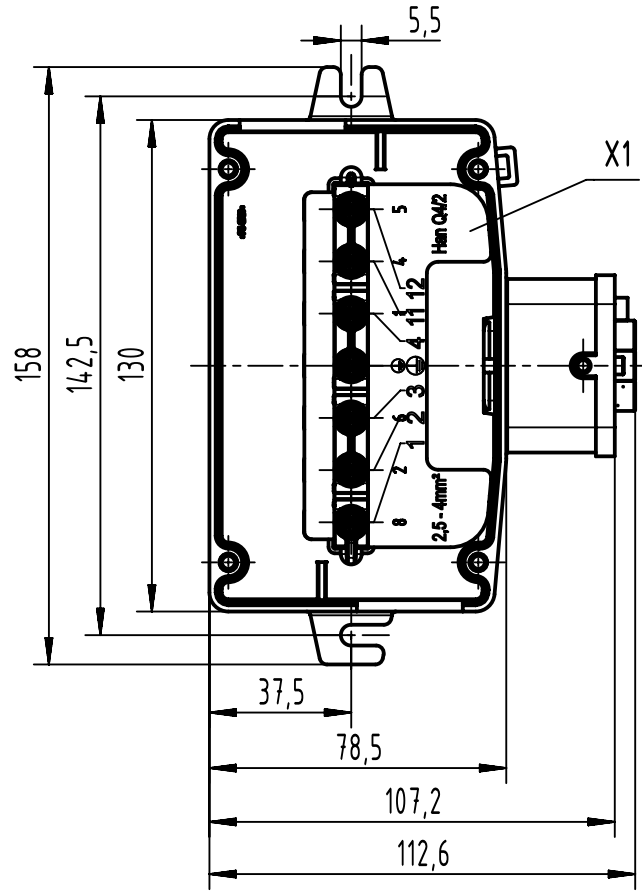
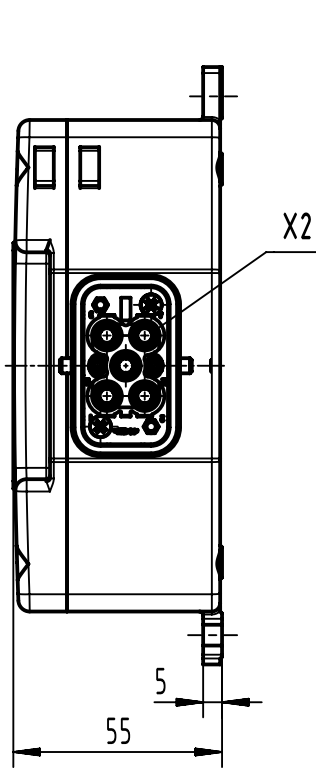
A

B

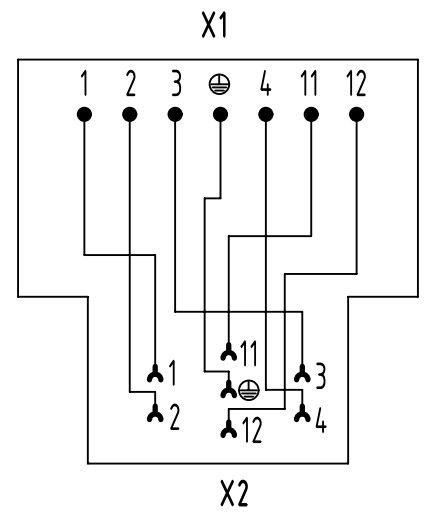
C

D

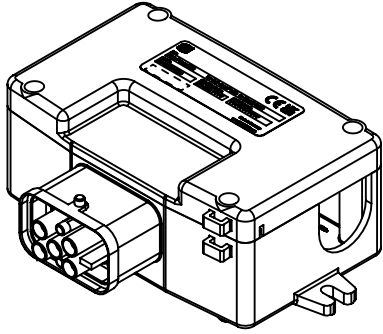
without cover



wiring plan



Han Q4/2



	All rights reserved Department EL PD	All Dimensions in mm Original Size DIN A4		Scale 1:2	Free size tol.	Ref. Sub. TB 09 12 008 4804 v. 24.09.03	
		Created by HOLLERT	Inspected by RIEPE	Standardisation	Date 2023-02-17	State Final Release	
HARTING D-32339 Espelkamp		Title Han-Power S with 1x Han Q4/2-F; 2,5-4mm <sup>2</sup>				Doc-Key / ECM-Nr. 100226594 / UGD/002/D 500000237562	
		Type TB	Number 09 12 008 4804		Rev. D	Page 1/1	