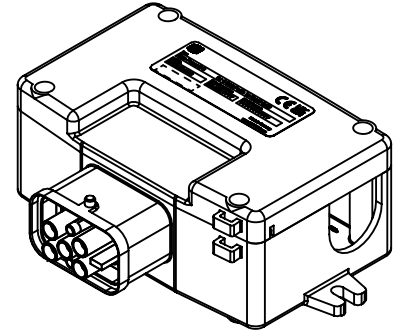
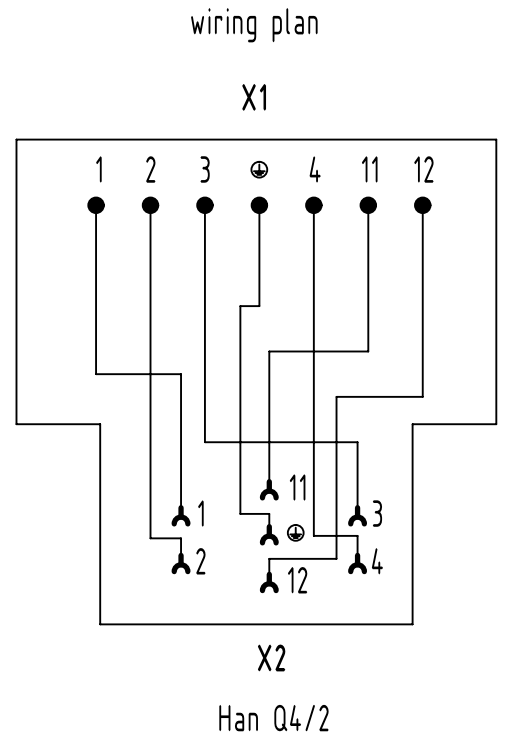
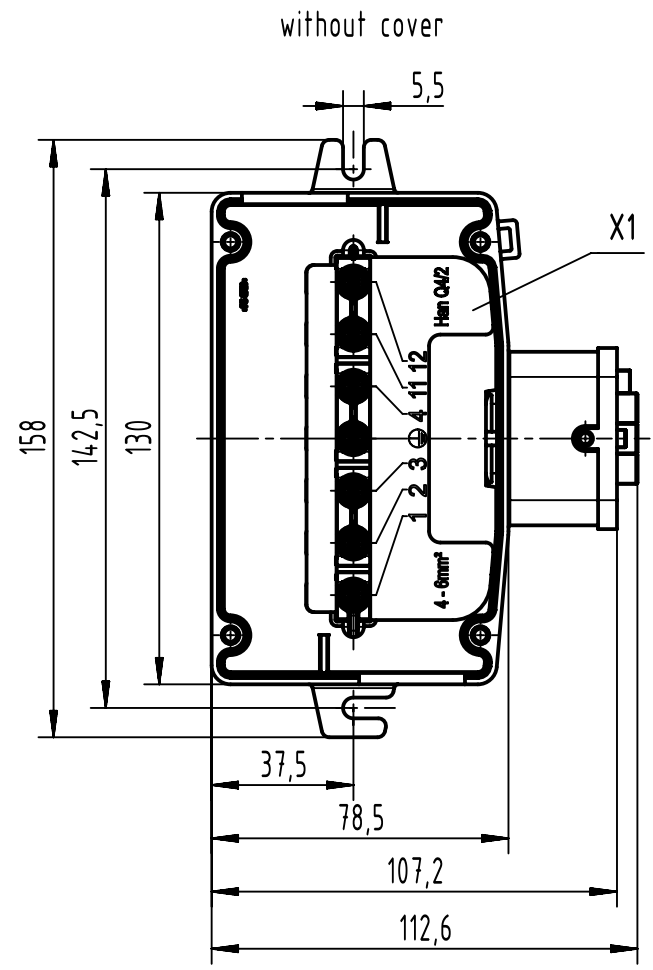
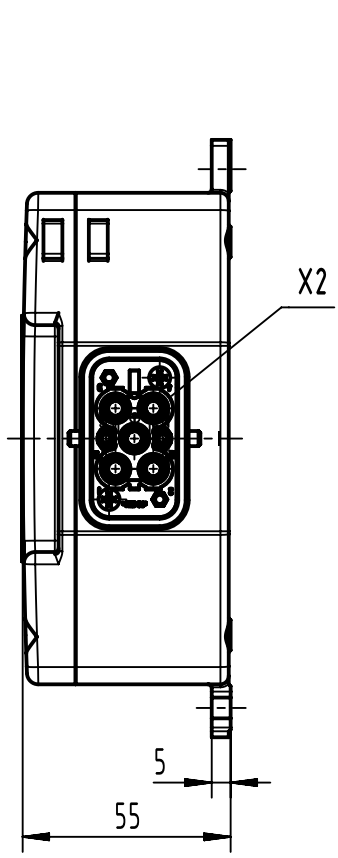


A

B

C

D



	All rights reserved Department EL PD	All Dimensions in mm Original Size DIN A4		Scale 1:2	Free size tol.	Ref.	
		Created by HOLLERT	Inspected by RIEPE	Standardisation	Date 2023-02-17	State Final Release	
HARTING D-32339 Espelkamp		Title Han-Power S with 1x Han Q4/2-F; 4-6mm ²				Doc-Key / ECM-Nr. 100226596/UGD/002/D 500000237562	
		Type TB	Number 09 12 008 4806			Rev. D	Page 1/1