

1 2 3 4 5 6

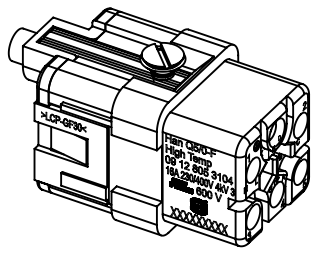
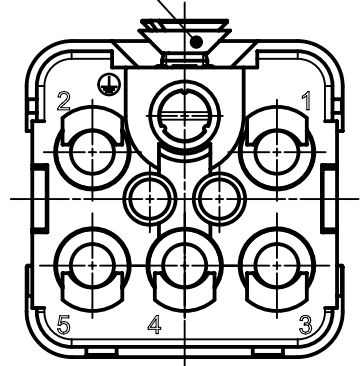
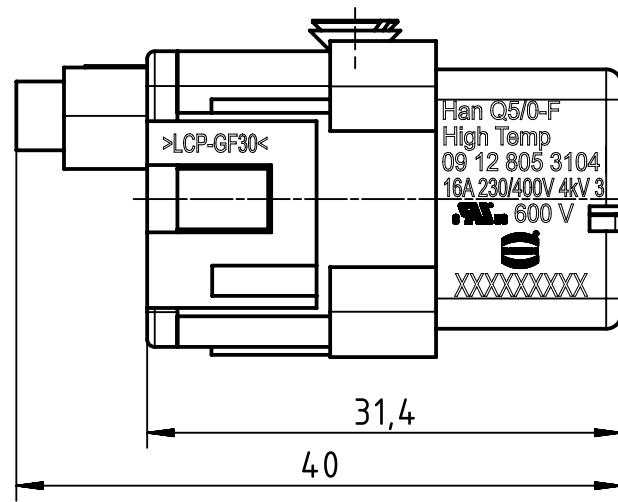
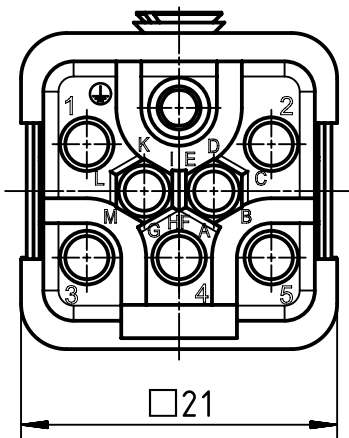
A

B

C

D

countersunk-head screw M3x6,
enclosed separately



	All Dimensions in mm Original Size DIN A4		Scale 2:1	Free size tol.		Ref.		
						Sub.		
	All rights reserved		Created by MOELLERLI	Inspected by BEISCHER	Standardisation GARSKE	Date 2020-02-25	State Final Release	
	Department EL PD		Title Han Q 5/0 HighTemp-F-c				Doc-Key / ECM-Nr. 100719699/UGD/000/E 500000167310	
HARTING Electric GmbH & Co. KG D-32339 Espelkamp			Type TB	Number 09 12 805 3104			Rev. E	Page 1/1