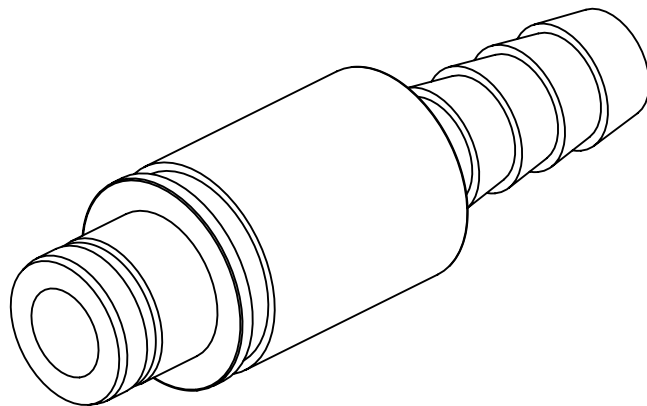
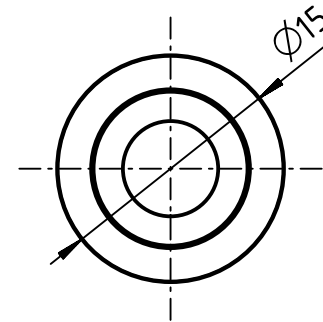
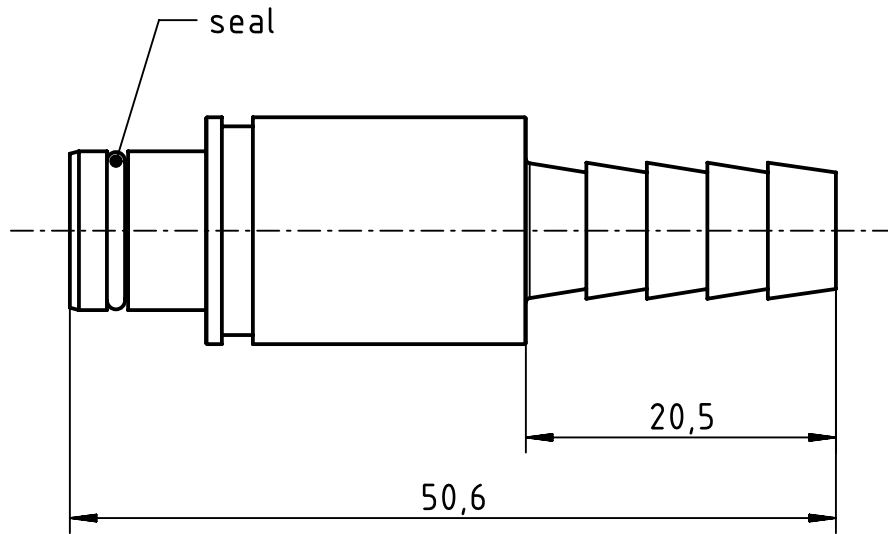



A

B

C

D



	All rights reserved Department EL PD	All Dimensions in mm Original Size DIN A4		Scale 2:1	Free size tol.		Ref.	
		HARTING Electric GmbH & Co. KG D-32339 Espelkamp		Created by HEW	Inspected by WANGSTE	Standardisation 302077	Date 2021-01-12	State Final Release
Title Pneum. contact metal ID 8mm, male							Doc-Key / ECM-Nr. 100892504 / UGD / 001 / A 500000186830	
Type TB				Number 09 14 000 6308			Rev. A	Page 1/1