

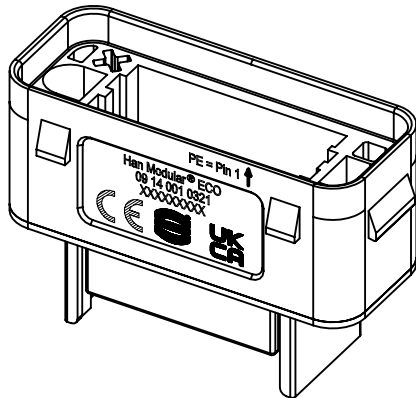
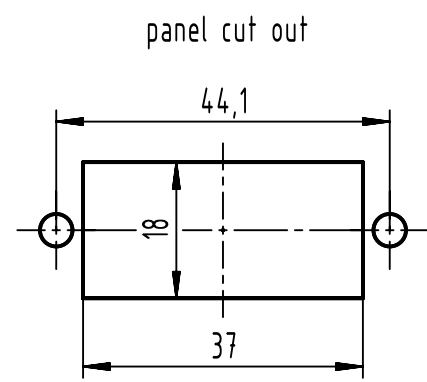
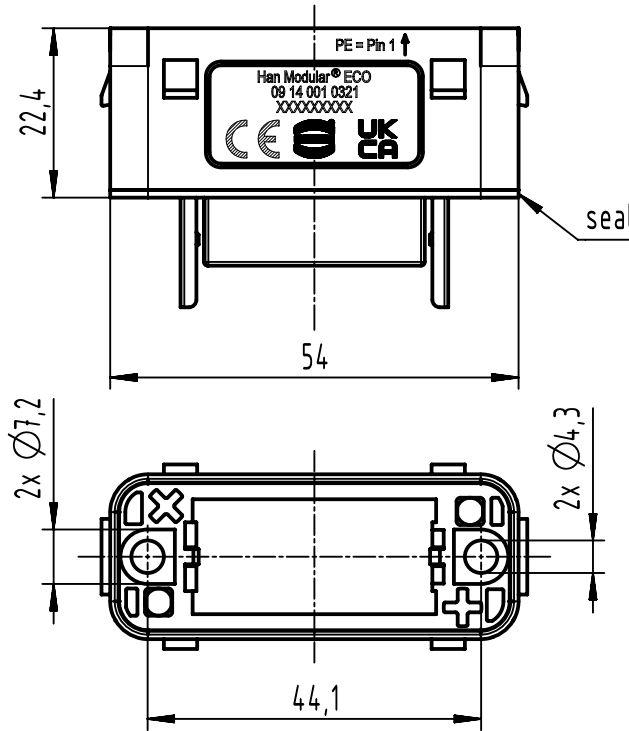
1 2 3 4 5 6


A

B

C

D



	All rights reserved		Created by SPRENB		Inspected by SUNDERMEIER		Standardisation		Date 2021-10-14		State Final Release	
	Department EL PD		Title Han-Modular ECO base panel (with PE mark)		Doc-Key / ECM-Nr. 100169959/UGD/008/A 500000203857		Rev. A		Page 1/1			
HARTING D-32339 Espelkamp			All Dimensions in mm Original Size DIN A4			Scale 1:1 Free size tol.			Ref. Sub. TB 09 14 001 0321 v. 08.09.05			
			Type TB			Number 09 14 001 0321						