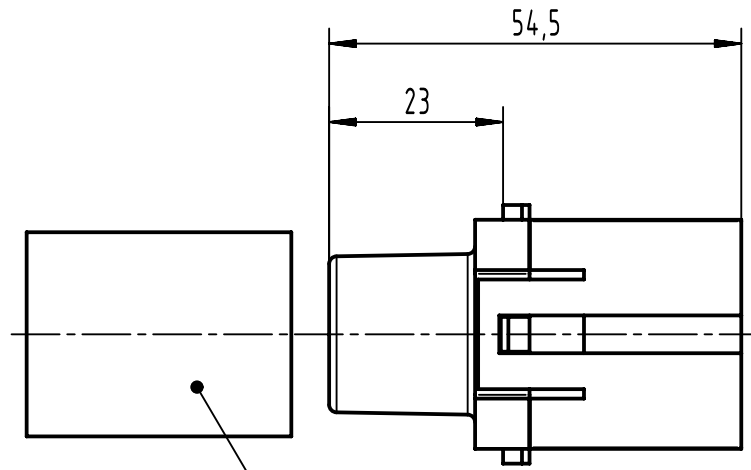
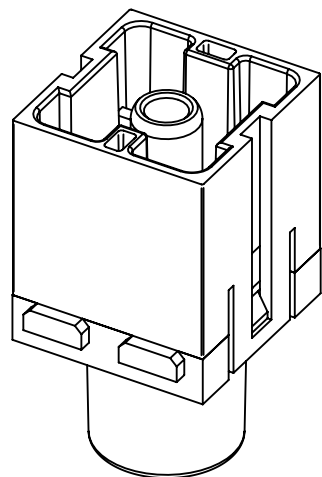
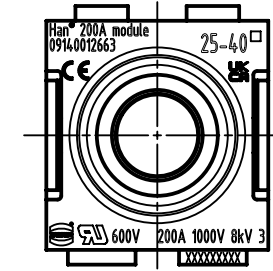



SW5



heat shrink tube



	All rights reserved Department EL PD	All Dimensions in mm Original Size DIN A4		Scale 1:1	Free size tol.		Ref.	
		Created by MEYERLE	Inspected by SUNDERMEIER	Standardisation	Date 2022-10-21	State Final Release		
HARTING D-32339 Espelkamp		Title Han 200A axial module, male 25-40 mm ²					Doc-Key / ECM-Nr. 100132868/UGD/007/D 500000228119	
		Type TB	Number 09 14 001 2663			Rev. D	Page 1/1	