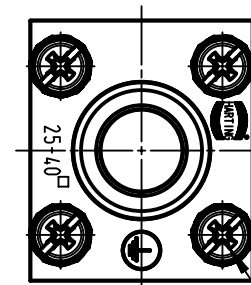
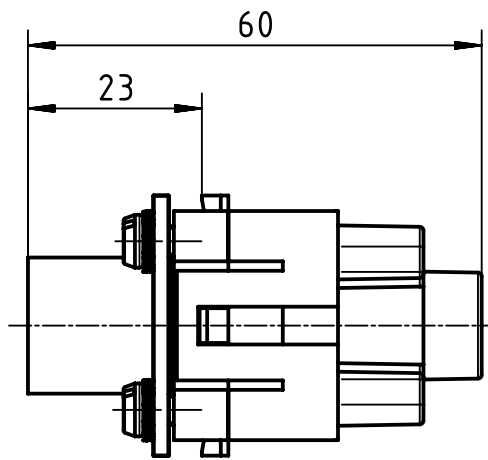
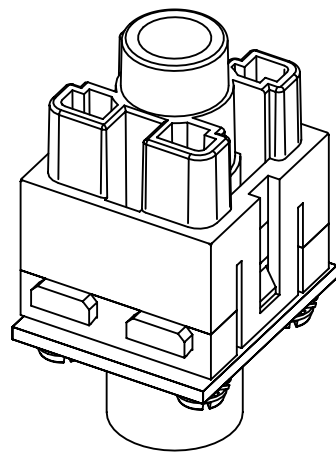
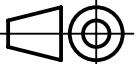



SW5



M4x6 (PH2)



Coating	A=	mm ²	V=	mm ³	m=	g	Mat.
 All Dimensions in mm Original Size DIN A4	Scale 1:1	Free size tol.					Ref.
 All rights reserved Department EL PD	Created by SPRENB	Inspected by SCHNIEDER	Standardisation SAP_WFRT	Date 2022-06-08	State Final Release		
HARTING D-32339 Espelkamp		Title Han 200A PE axial module female 25-40mm ²				Doc-Key / ECM-Nr. 100086524 / UGD/005/C 500000218736	
		Type TB	Number 09 14 001 2768			Rev. C	Page 1/1