

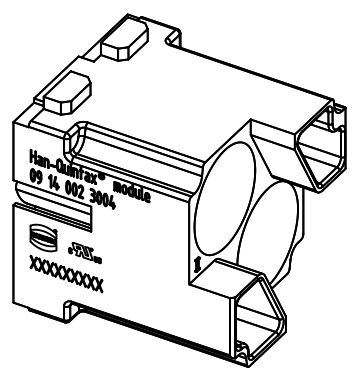
Han-Quintax® module  
09 14 002 3004



XXXXXXXXXX

male

male



	All Dimensions in mm Original Size DIN A4		Scale 2:1	Free size tol.		Ref.	
			Created by HELLMANN	Inspected by NICHTERLEIN	Standardisation TIEMANNA	Date 2017-01-27	State Final Release
All rights reserved Department EL PD		Title Han-Quintax module, male				Doc-Key / ECM-Nr. 100707232/UGD/001/A 500000114399	
HARTING Electric GmbH & Co. KG D-32339 Espelkamp		Type TB	Number 09 14 002 3004			Rev. A	Page 1/1