

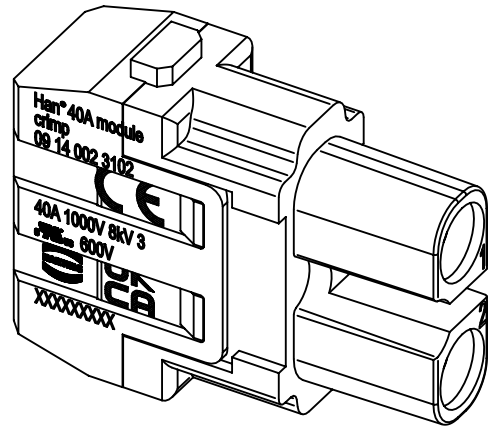
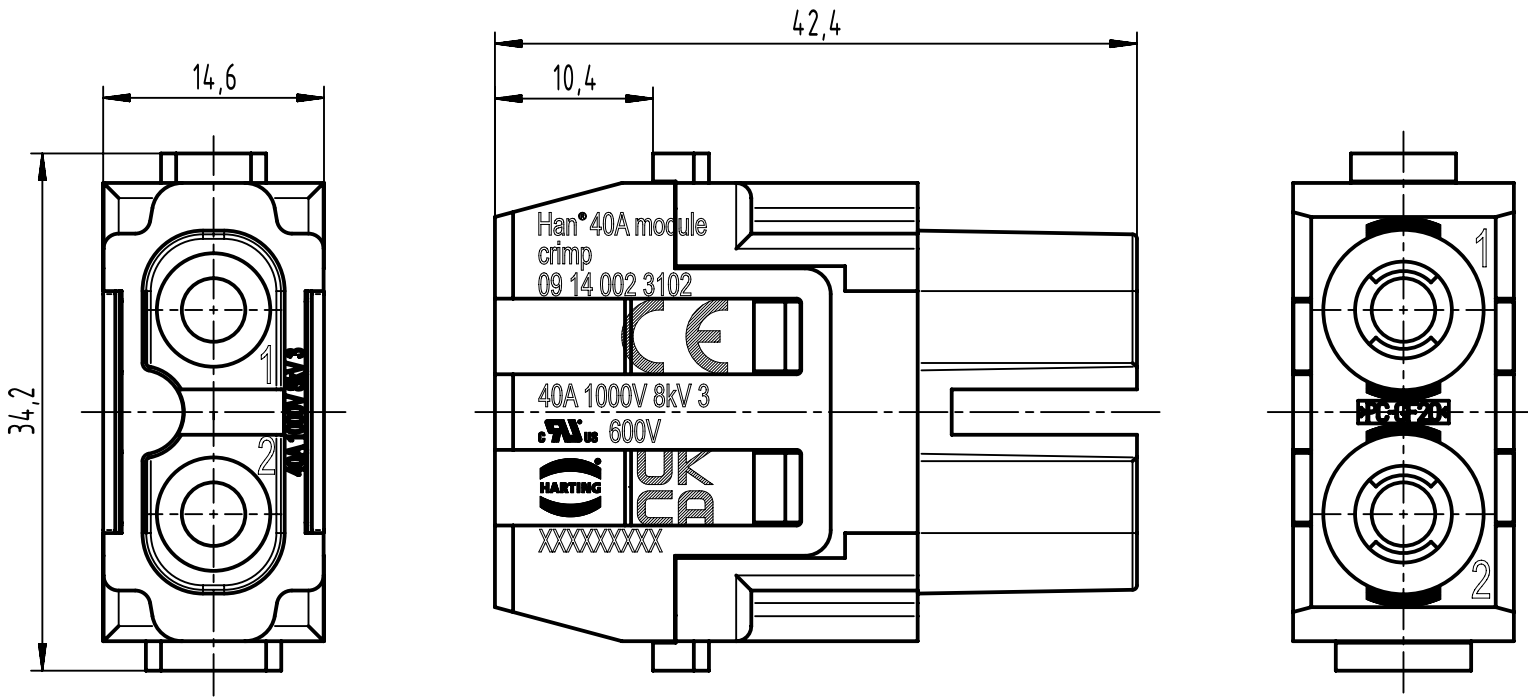
1 2 3 4 5 6

A

B

C

D



Wire diameter over insulation \leq 4,8mm stripping length 9,5mm
 $>$ 4,8mm stripping length 15mm
 \geq 6,4mm stripping length 18mm

	All Dimensions in mm Original Size DIN A4		Scale 2:1	Free size tol.		Ref.		
						Sub.		
	All rights reserved		Created by HOLLERT	Inspected by SUNDERMEIER	Standardisation	Date 2023-01-31	State Final Release	
	Department EL PD		Title Han 40A crimp module, female				Doc-Key / ECM-Nr. 100533579/UGD/001/E 500000235937	
HARTING D-32339 Espelkamp			Type TB	Number 09 14 002 3102			Rev. E	Page 1/1