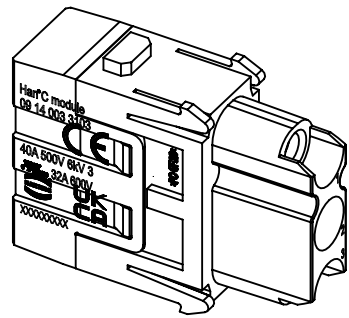
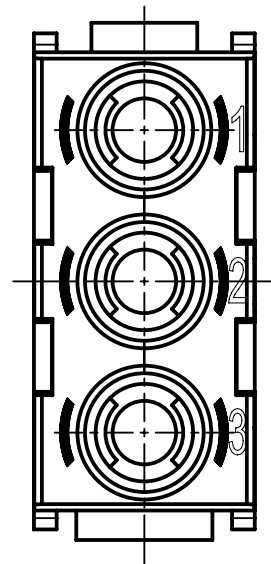
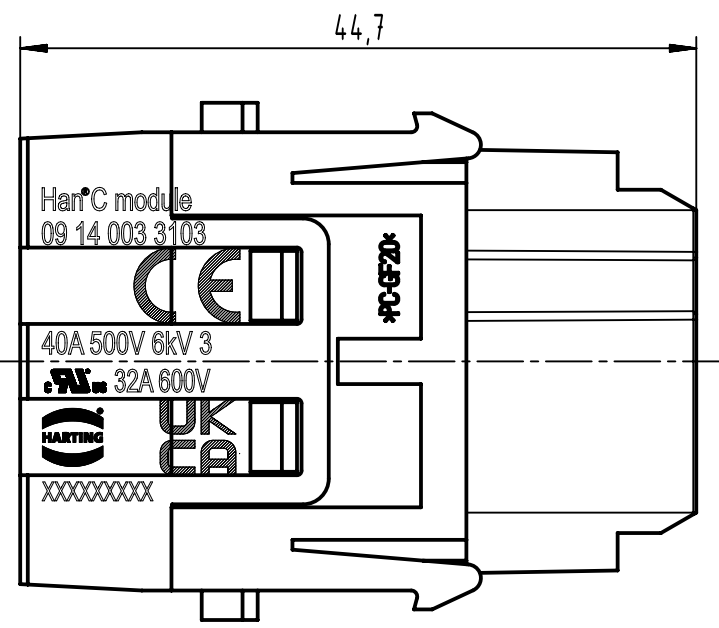
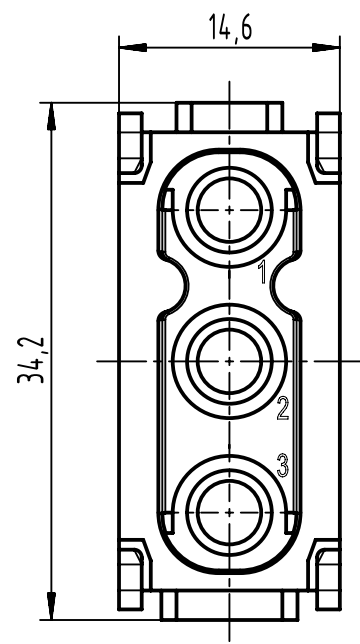


A

B

C

D



Wire diameter over insulation $\leq 4,8$ mm stripping length 9,5 mm
 $> 4,8$ mm stripping length 18 mm
 For wires with maximum wire diameter over insulation up to 7,5 mm

	All rights reserved Department EL PD	All Dimensions in mm Original Size DIN A4		Scale 2:1	Free size tol.	Ref. Sub.
		Created by HOLLERT	Inspected by SUNDERMEIER	Standardisation	Date 2023-01-26	State Final Release
HARTING D-32339 Espelkamp		Title Han C module, crimp female (two part)				Doc-Key / ECM-Nr. 100610180/UGD/001/D 500000235580
		Type TB	Number 09 14 003 3103		Rev. D	Page 1/1