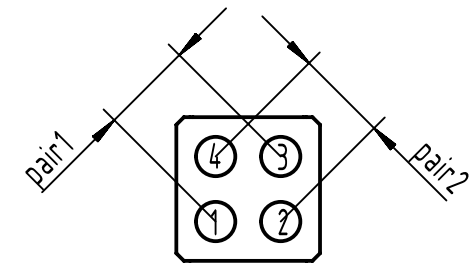
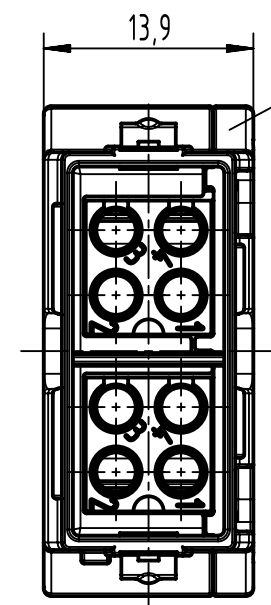
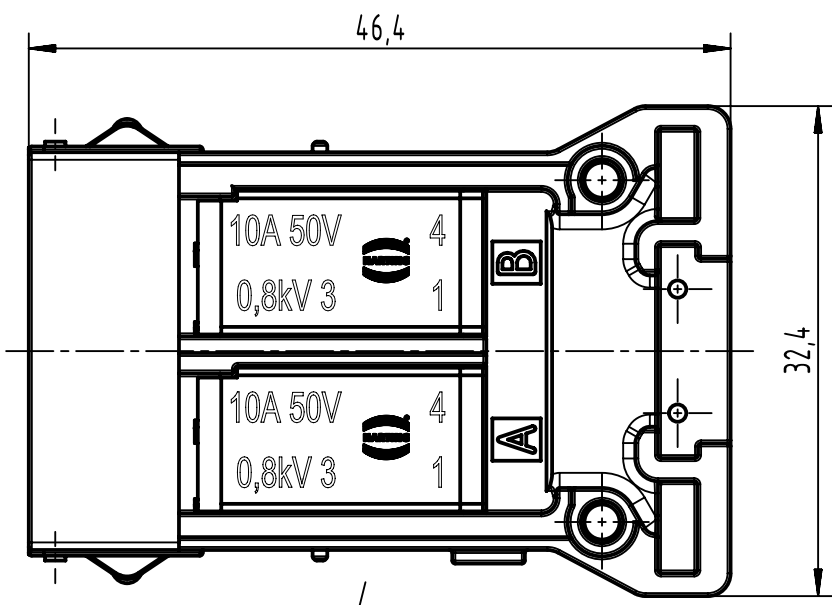
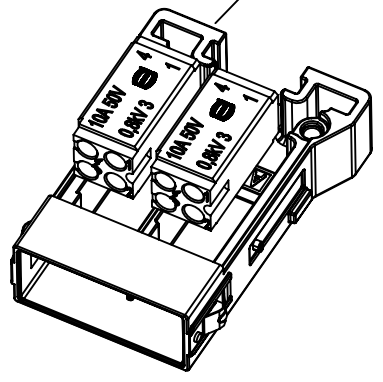


1 2 3 4 5 6



arrangement without cover



delivery in partly assembled parts
and individual parts

	Wiring acc. to	
	EIA/TIA 568A	EIA/TIA 568B
Pin	Color	Color
1A	white/green	white/orange
2A	white/orange	white/green
3A	green	orange
4A	orange	green
1B	white/blue	white/blue
2B	white/brown	white/brown
3B	blue	blue
4B	brown	brown

	All Dimensions in mm Original Size DIN A4	Scale 1:1	Free size tol.	Ref.
	All rights reserved Department EL PD	Created by SPRENB	Inspected by RIEPE	Standardisation
HARTING D-32339 Espelkamp	Title Han Megabit insert male 1 Entry			Date 2023-04-28
			State Final Release	Doc-Key / ECM-Nr. 100611392/UGD/002/E 500000241818
		Type TB	Number 09 14 008 3021	Rev. E
				Page 1/1