

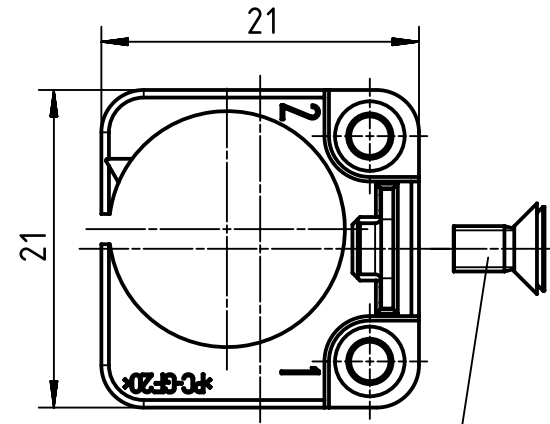
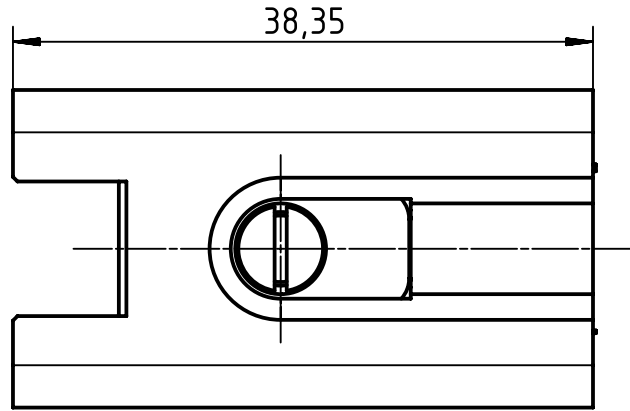
1 2 3 4 5 6

A

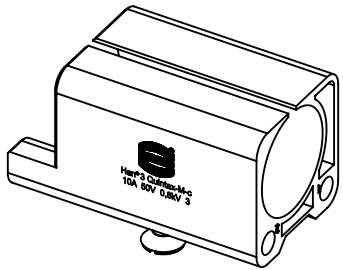
B


C

D



M3 screw enclosed separately



	All Dimensions in mm Original Size DIN A4		Scale 2:1	Free size tol.		Ref.	
	All rights reserved Department EL PD		Created by SPRENB	Inspected by BERGHORN	Standardisation RUETERA	Date 2020-03-10	State Final Release
HARTING Electric GmbH & Co. KG D-32339 Espelkamp			Title Han 3 Quintax-M-c			Doc-Key / ECM-Nr. 100133128/UGD/005/B 500000168457	
			Type TB	Number 09 15 003 3001		Rev. B	Page 1/1