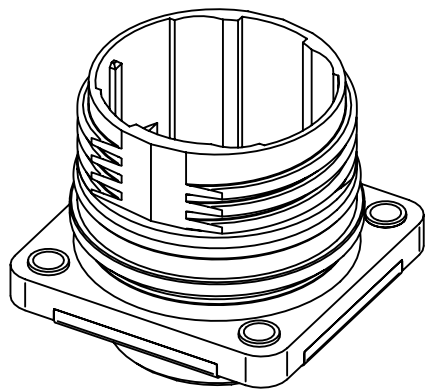



max height of screw head 3,8mm



	All rights reserved Department EL PD	All Dimensions in mm Original Size DIN A4		Scale 2:1	Free size tol.	Ref. Sub.
		Created by HOLLERT	Inspected by RIEPE	Standardisation RUETERA	Date 2020-05-06	State Final Release
HARTING Electric GmbH & Co. KG D-32339 Espelkamp		Title Han F+B housing bulkhead mount-straight			Doc-Key / ECM-Nr. 100550173/UGD/001/J 500000172120	
		Type TB	Number 09 15 503 0301		Rev. J	Page 1/1