

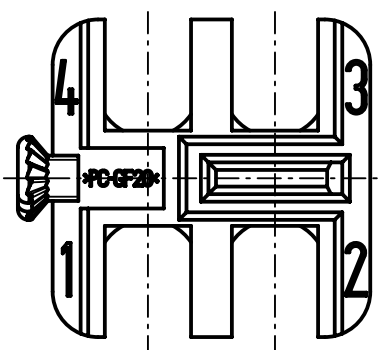
1 2 3 4 5 6

A

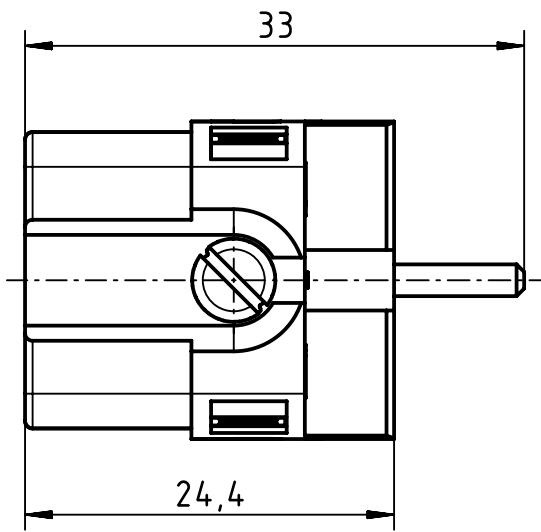
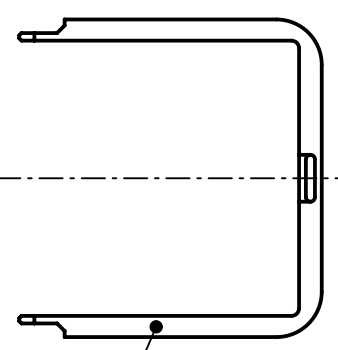
B

C

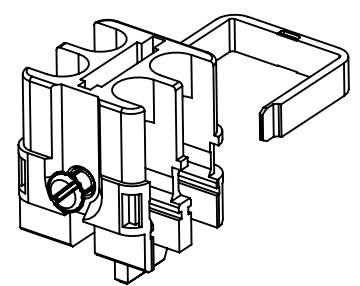
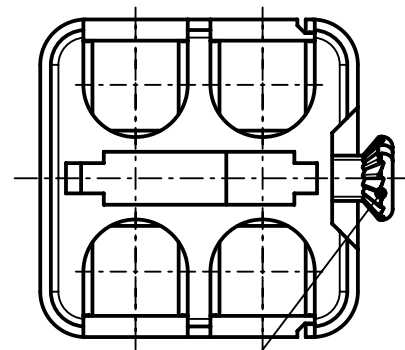
D




locking clip enclosed



countersunk screw M3x6-4.8 enclosed separately



|   |  |  |                          |                            |                    |                        |
|---|--|--|--------------------------|----------------------------|--------------------|------------------------|
|  | All rights reserved<br>Department EL PD<br>HARTING Electric GmbH & Co. KG<br>D-32339 Espelkamp | All Dimensions in mm<br>Original Size DIN A4 |                          | Scale<br>2:1               | Free size tol.     | Ref.<br>Sub.           |
|   |  | Created by<br>HELLMANN                       | Inspected by<br>RIEPE    | Standardisation<br>RUETERA | Date<br>2020-05-14 | State<br>Final Release |
|   |  |  |                          | Title<br>Han 4A-SC-M       |                    |                        |
|   |  | Type<br>TB                                   | Number<br>09 20 004 4701 |                            | Rev.<br>A          | Page<br>1/1            |