

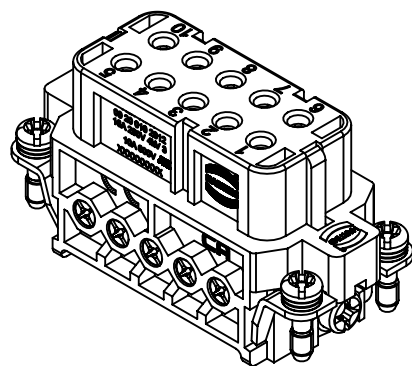
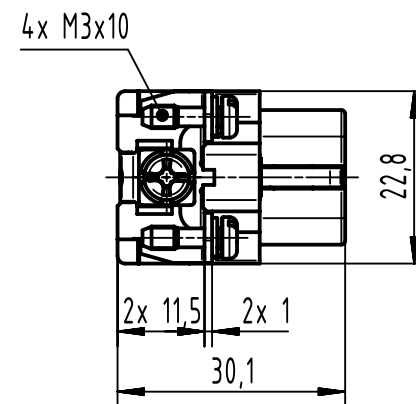
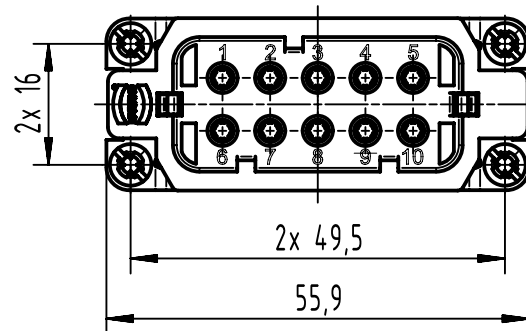
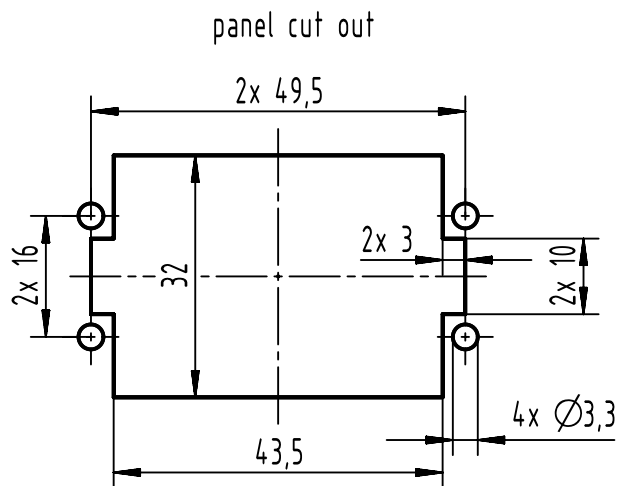
1 2 3 4 5 6

A

B

C

D



	All Dimensions in mm Original Size DIN A4		Scale 1:1	Free size tol.		Ref.
						Sub.
	All rights reserved		Created by BALSAN	Inspected by 402602	Standardisation	Date 2022-12-05
	Department EL PD		Title Han 10A-BU-S			State Final Release
HARTING D-32339 Espelkamp			Type TB	Number 09 20 010 2812		Doc-Key / ECM-Nr. 100087383/UGD/005/E 500000231823
					Rev. E	Page 1/1