

1 2 3 4 5 6

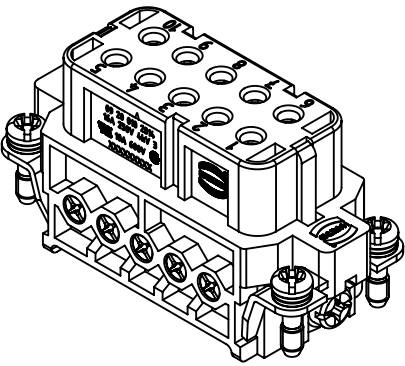
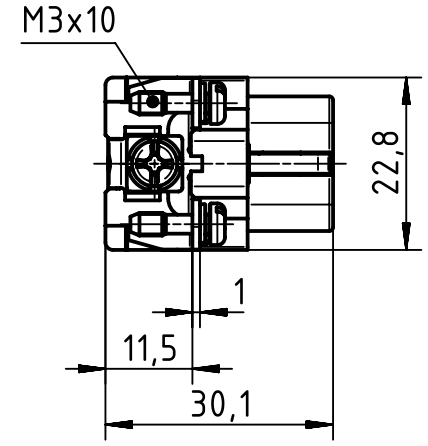
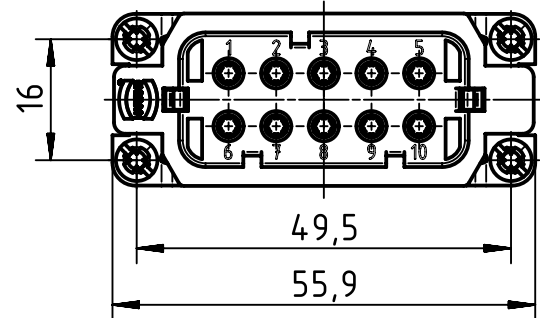
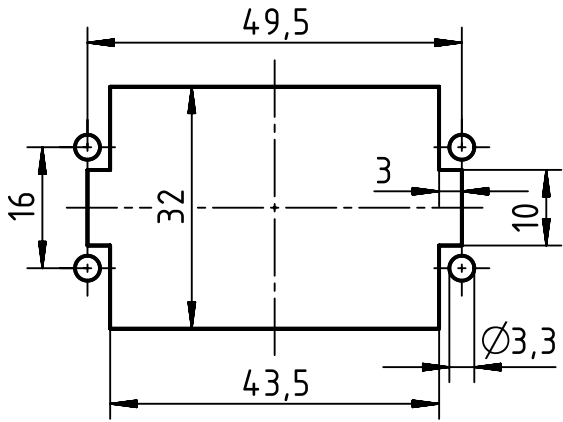
A

B

C

D

panel cut out



	All Dimensions in mm Original Size DIN A4		Scale 1:1	Free size tol.		Ref.
			Created by FINKEV	Inspected by RIEPE	Standardisation RUETERA	Date 2020-03-06
All rights reserved Department EL PD		Title Han 10A-F-S, w. Wire Protection			State Final Release	
HARTING Electric GmbH & Co. KG D-32339 Espelkamp		Type TB			Number 09 20 010 2814	
						Doc-Key / ECM-Nr. 100217398/UGD/002/C 500000167532
						Rev. C
						Page 1/1