

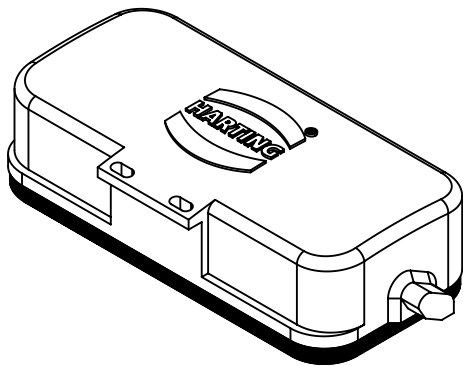
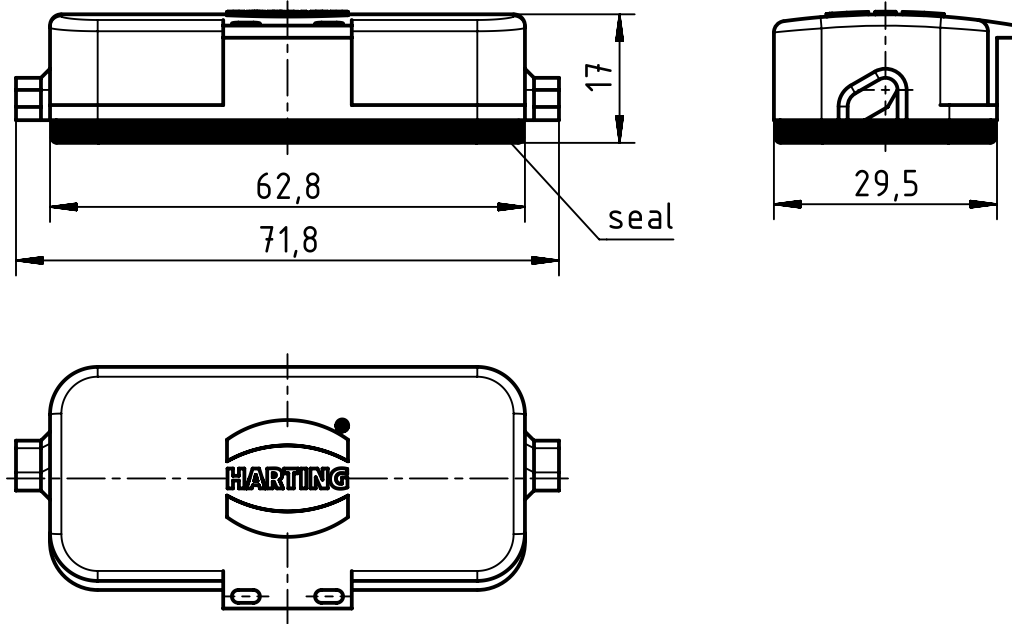
1 2 3 4 5 6

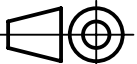

A

B

C

D



 All Dimensions in mm Original Size DIN A4	Scale	Free size tol.		Ref.	
	1:1			Sub.	
 All rights reserved Department EL PD - DE	Created by	Inspected by	Standardisation	Date	State
	KLASSEN P	NICHTERLEIN	RUETERA	2017-09-27	Final Release
HARTING Electric GmbH & Co. KG D-32339 Espelkamp	Title			Doc-Key / ECM-Nr.	
	Han 10A-Cover-Plastic 2Pins, f Easy-Lock			100087398/UGD/004/A 500000124907	
Type		Number		Rev.	Page
TB		09 20 010 5402		A	1/1