

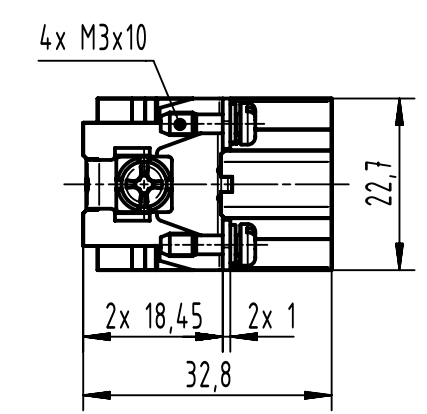
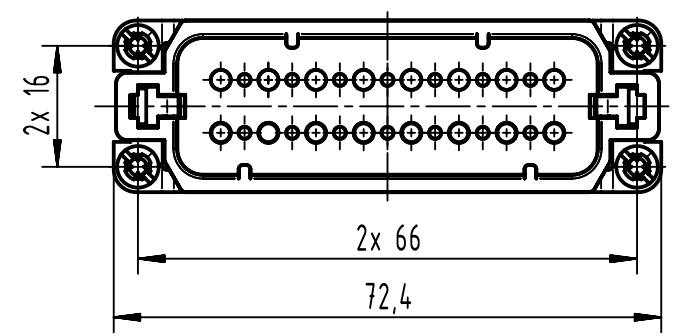
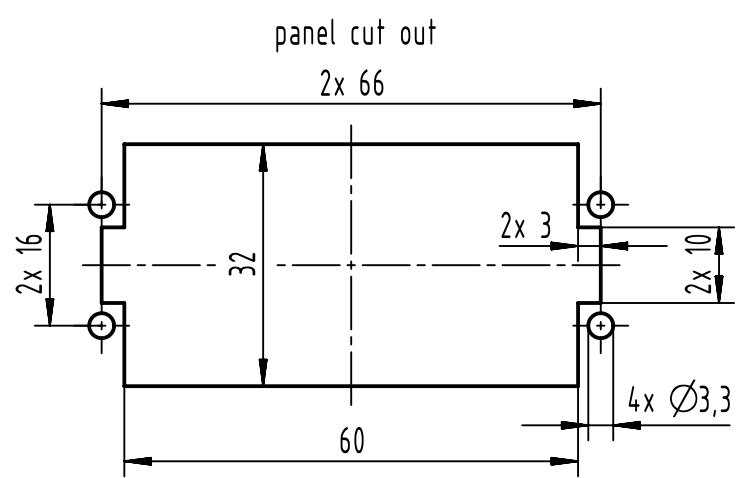
1 2 3 4 5 6

A

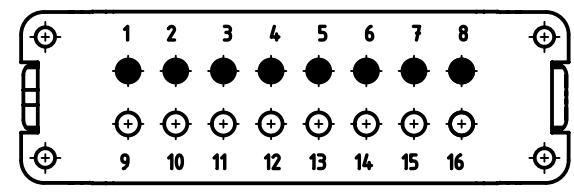
B

C

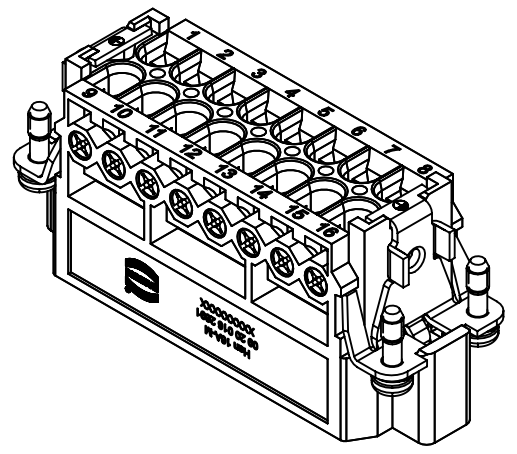
D



termination side



- contacts Fe gold-plated
- contacts CuNi



	All rights reserved Department EL PD	All Dimensions in mm Original Size DIN A4		Scale 1:1	Free size tol.	Ref. Sub.	
		Created by 402795	Inspected by 406804	Standardisation	Date 2023-03-24	State Final Release	
HARTING D-32339 Espelkamp		Title Han 16A-STI-S (FE(Au) / CuNi)				Doc-Key / ECM-Nr. 100087441/UGD/005/F 500000240659	
		Type TB	Number 09 20 016 2691			Rev. F	Page 1/1