

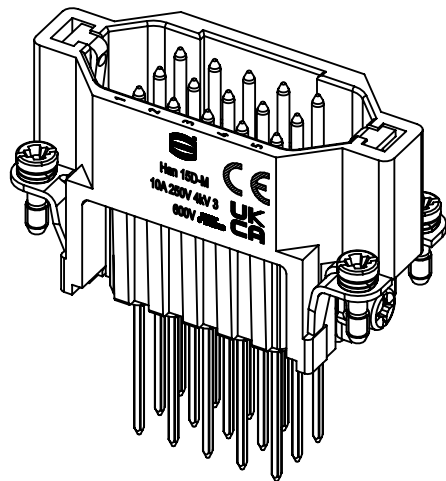
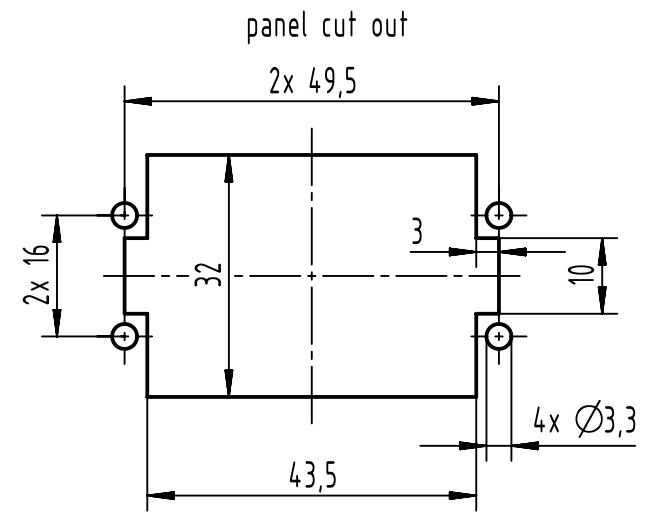
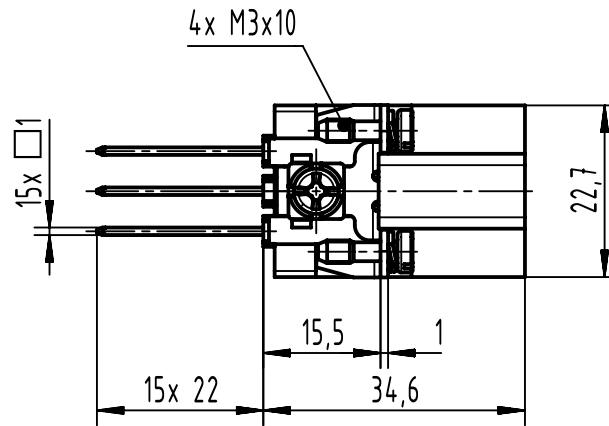
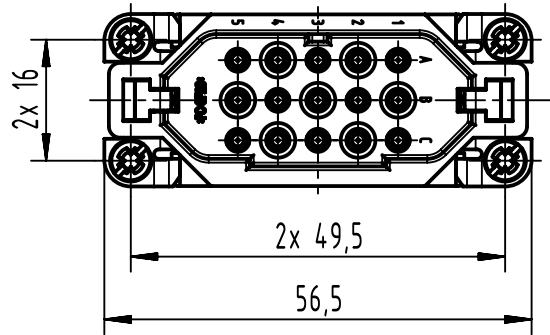
1 2 3 4 5 6

A

B

C

D



screen line distance between the contacts: 5,3mm

|                              |  |  |   |                          |                             |  |                        |
|------------------------------|--|--|---|--------------------------|-----------------------------|--|------------------------|
|                              | All Dimensions in mm<br>Original Size DIN A4 |  | Scale<br>1:1                              | Free size tol.           |                             | Ref.   |                        |
|                              |  |  |   |                          |                             | Sub.   |                        |
|                              | All rights reserved                          |  | Created by<br>BALSAN                      | Inspected by<br>402602   | Standardisation<br>SAP_WFRT | Date<br>2022-08-24                                       | State<br>Final Release |
|                              | Department EL PD                             |  | Title<br>Han D 15 Pos. M Insert Wire Wrap |                          |                             | Doc-Key / ECM-Nr.<br>100219226/UGD/003/D<br>500000224055 |                        |
| HARTING<br>D-32339 Espelkamp |  |  | Type<br>TB                                | Number<br>09 21 015 2601 |                             | Rev.<br>D  | Page<br>1/1            |