

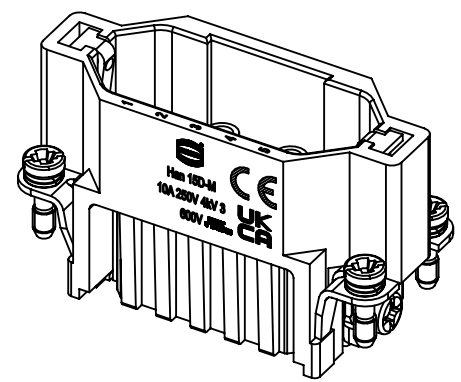
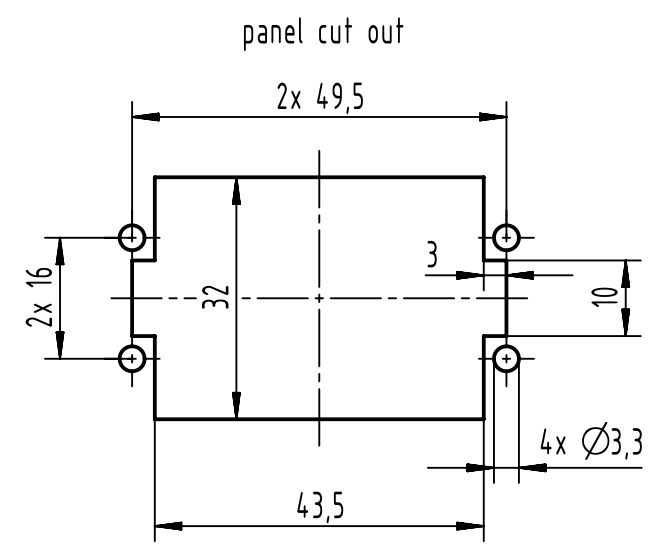
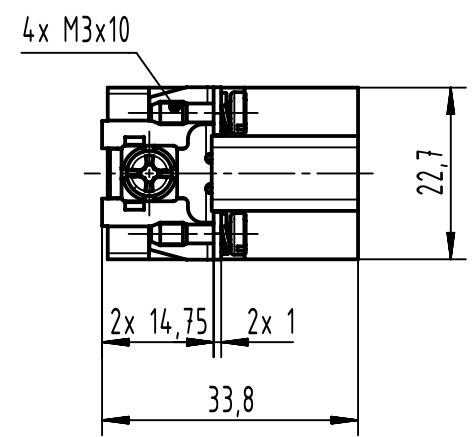
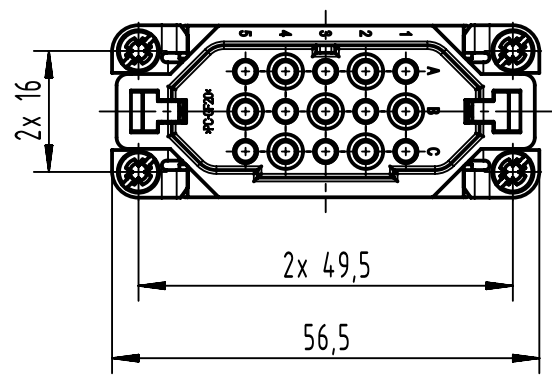
1 2 3 4 5 6

A

B

C

D



	All Dimensions in mm Original Size DIN A4		Scale 1:1	Free size tol.		Ref.		
						Sub.		
	All rights reserved		Created by BALSAN	Inspected by 402602	Standardisation SAP_WFRT	Date 2022-09-08	State Final Release	
	Department EL PD		Title Han D 15 Pos. M Insert Crimp				Doc-Key / ECM-Nr. 100127536/UGD/004/E 500000225204	
HARTING D-32339 Espelkamp			Type TB	Number 09 21 015 3001			Rev. E	Page 1/1