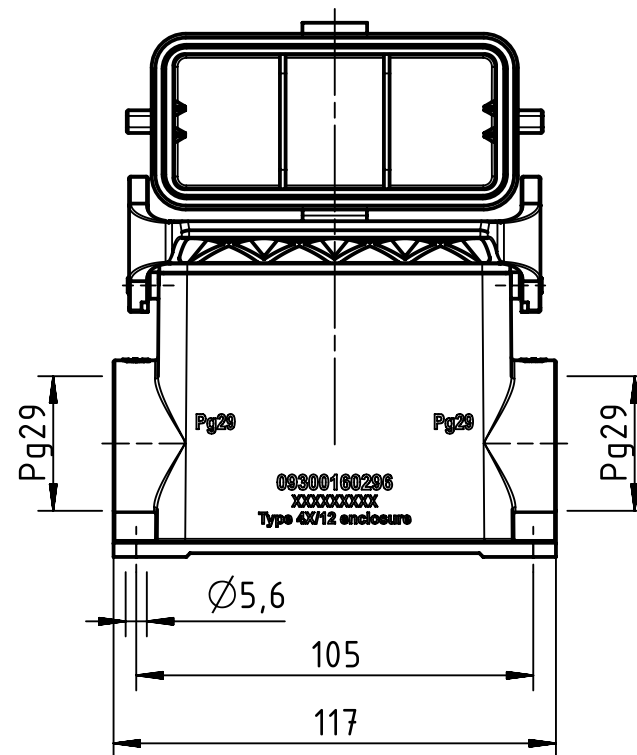
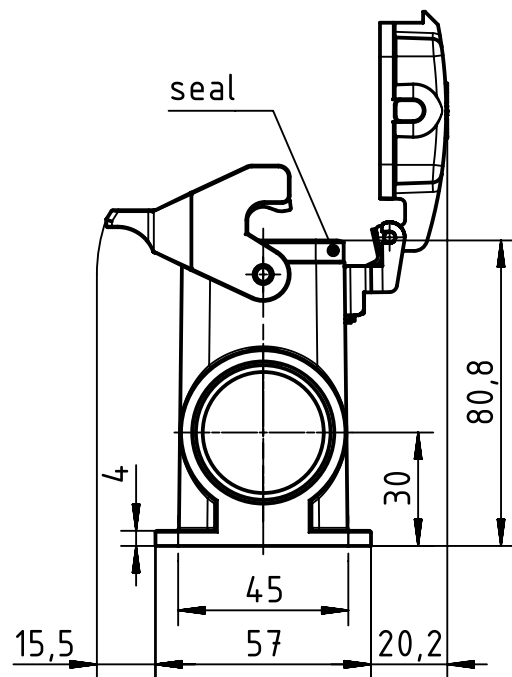
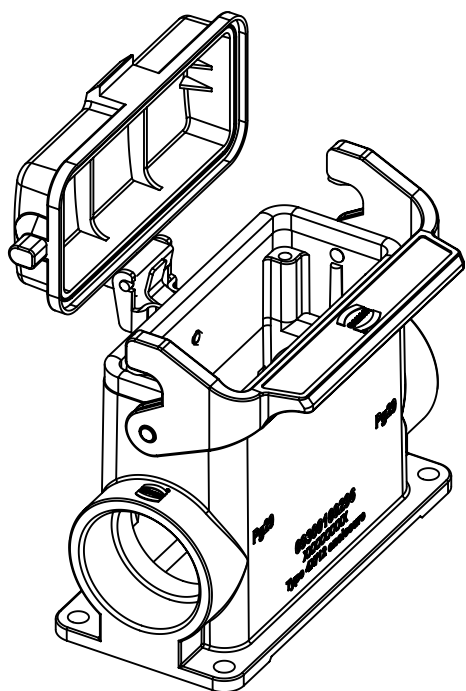


A

B

C

D



	All Dimensions in mm Original Size DIN A4		Scale 1:2	Free size tol.		Ref.
			Created by SPRENB	Inspected by GERB	Standardisation GARSKE	Sub.
All rights reserved Department EL PD		HARTING Electric GmbH & Co. KG D-32339 Espelkamp		Title Han B Base SM HC plastic cover Pg29		Date 2020-01-07
				State Final Release		Doc-Key / ECM-Nr. 100210104/UGD/004/C 500000162090
				Type TB	Number 09 30 016 0296	Rev. C Page 1/1