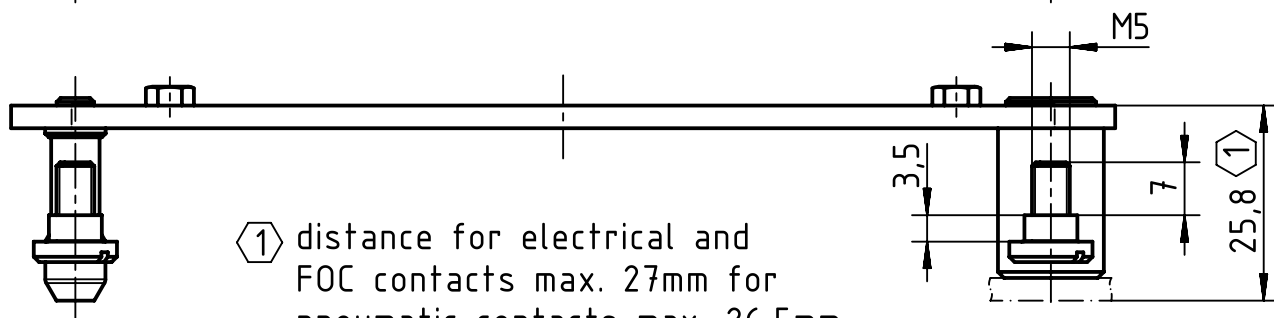
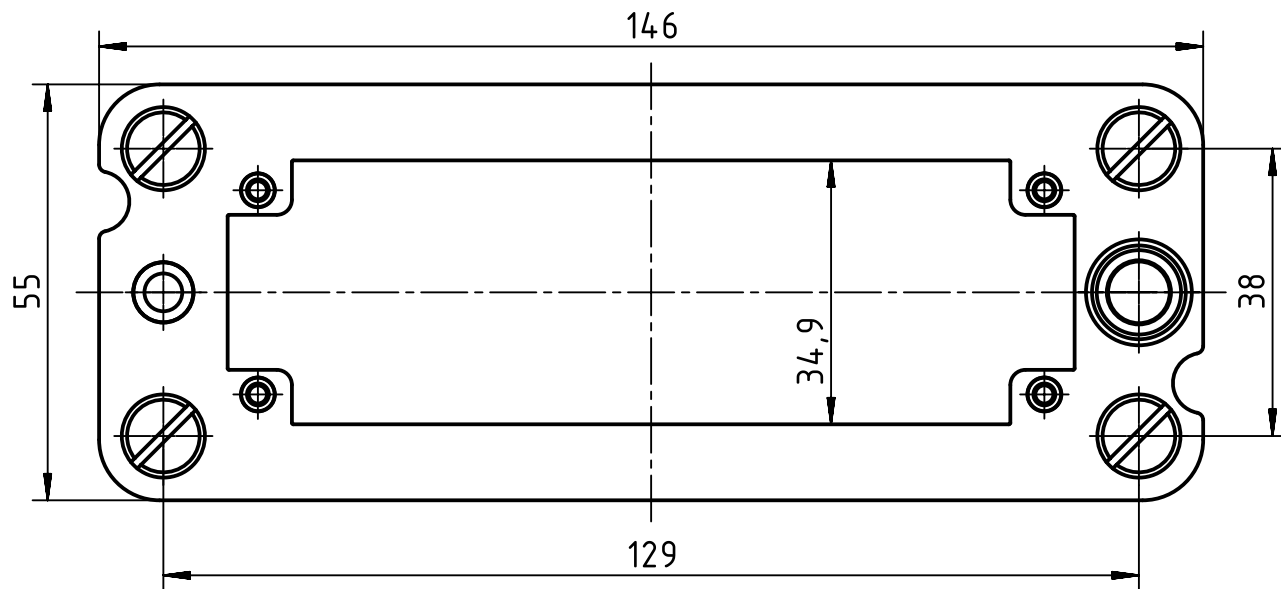
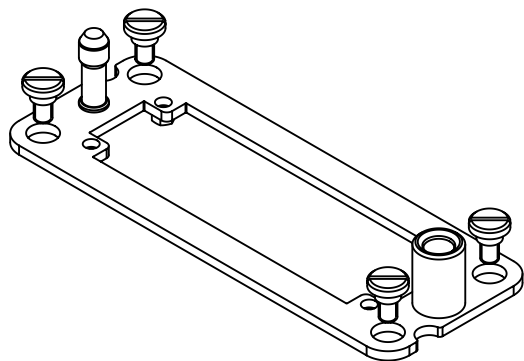
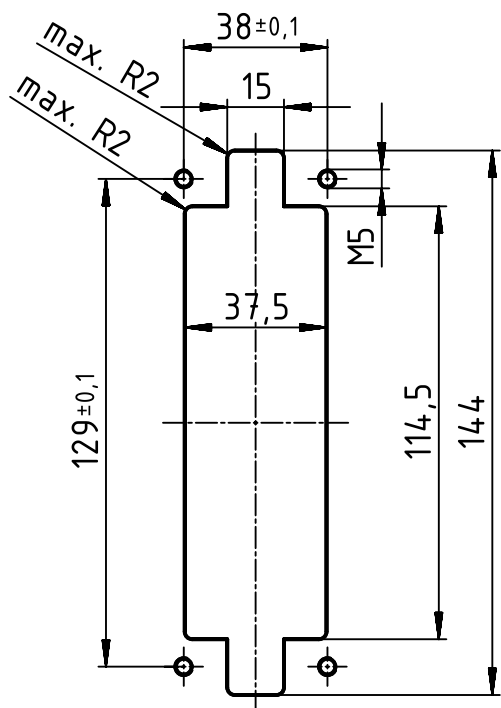


panel cut out
(1:2)



1 distance for electrical and FOC contacts max. 27mm for pneumatic contacts max. 26,5mm

kind of delivery: piece parts

	All Dimensions in mm Original Size DIN A4		Scale 1:1	Free size tol.		Ref.
			Created by FINKEV	Inspected by BERGHORN	Standardisation TIEMANNA	Sub.
		All rights reserved Department EL PD - DE	Date 2016-03-21	State Final Release		Doc-Key / ECM-Nr. 100614376/UGD/005/C 500000102021
		HARTING Electric GmbH & Co. KG D-32339 Espelkamp	Title Han 24B Docking Frame (35 mm)			Rev. C
		Type TB	Number 09 30 024 1704		Page 1/1	