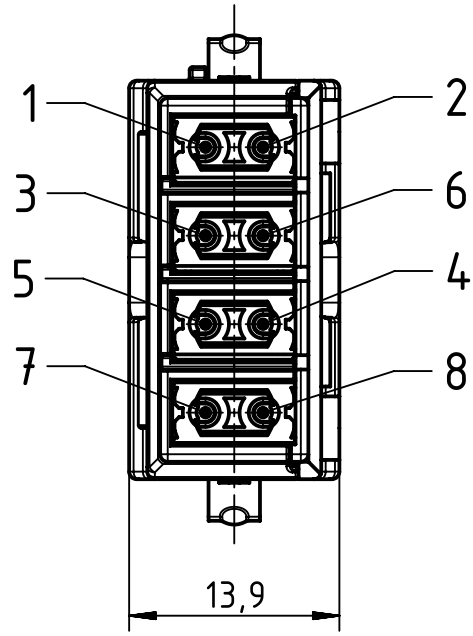
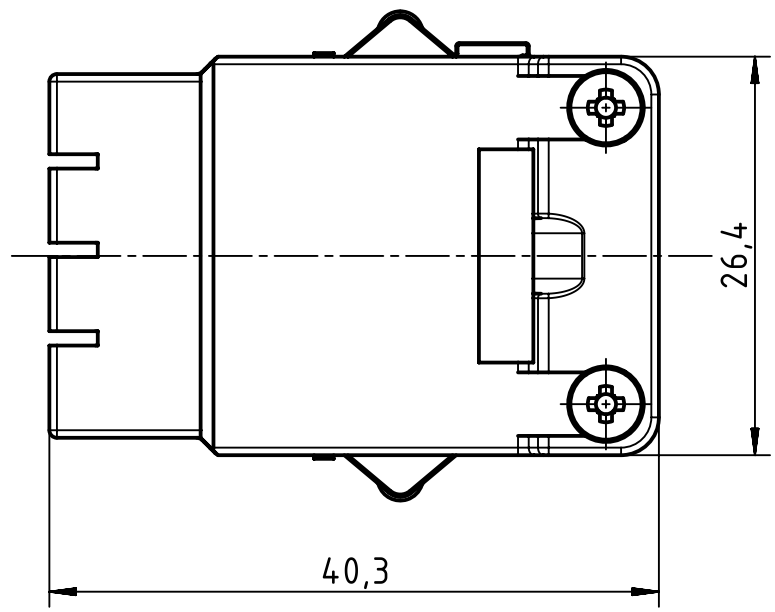


1 2 3 4 5 6

A



wiring acc. EIA/TIA 568A  
view from termination side

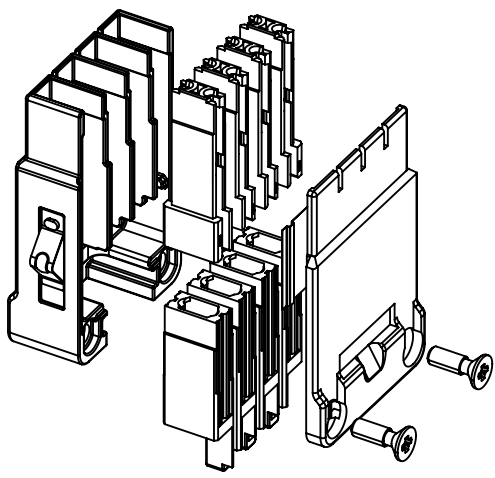
green	2•	•1	white/green
orange	6•	•3	white/orange
blue	4•	•5	white/blue
brown	8•	•7	white/brown

wiring acc. EIA/TIA 568B  
view from termination side

orange	2•	•1	white/orange
green	6•	•3	white/green
blue	4•	•5	white/blue
brown	8•	•7	white/brown

B

C



D

Female contact		
Part number	Wire gauge	
	mm <sup>2</sup>	AWG
09930005476	0,13-0,33mm <sup>2</sup>	22-26

	All Dimensions in mm Original Size DIN A4		Scale 2:1	Free size tol.		Ref.	
	All rights reserved		Created by HELLMANN	Inspected by BERGHORN	Standardisation RUETERA	Date 2018-08-21	State Final Release
Department EL PD		Title Han Gigabit insert F Cat. 7 (shield-GND)				Doc-Key / ECM-Nr. 100706499/UGD/000/E 500000138963	
HARTING Electric GmbH & Co. KG D-32339 Espelkamp		Type TB	Number 09 14 008 3132			Rev. E	Page 1/1