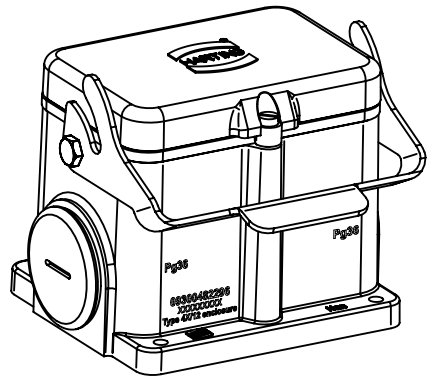


range of delivery: cover closed



	All rights reserved		Created by HOLLERT		Inspected by GERB		Standardisation SAP_WFRT		Date 2022-04-08		State Final Release		
	Department EL PD		Title Han B Base SM LC metal cover 2 x Pg 36		Doc-Key / ECM-Nr. 100668107/UGD/005/E 500000215005		Type TB		Number 09 30 048 2296		Rev. E		
HARTING D-32339 Espelkamp			All Dimensions in mm Original Size DIN A4			Scale 1:2 Free size tol.			Ref. Sub. TB 19 30 048 0298 v. 06.12.00			Page 1/1	