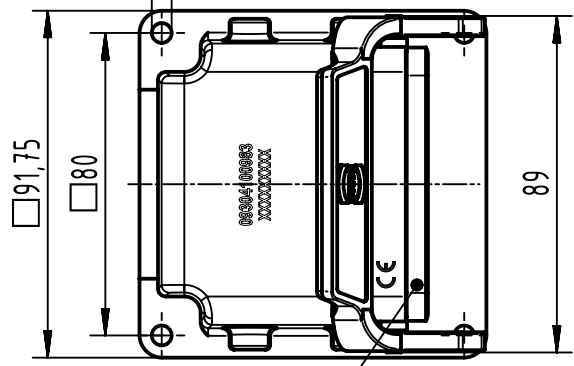


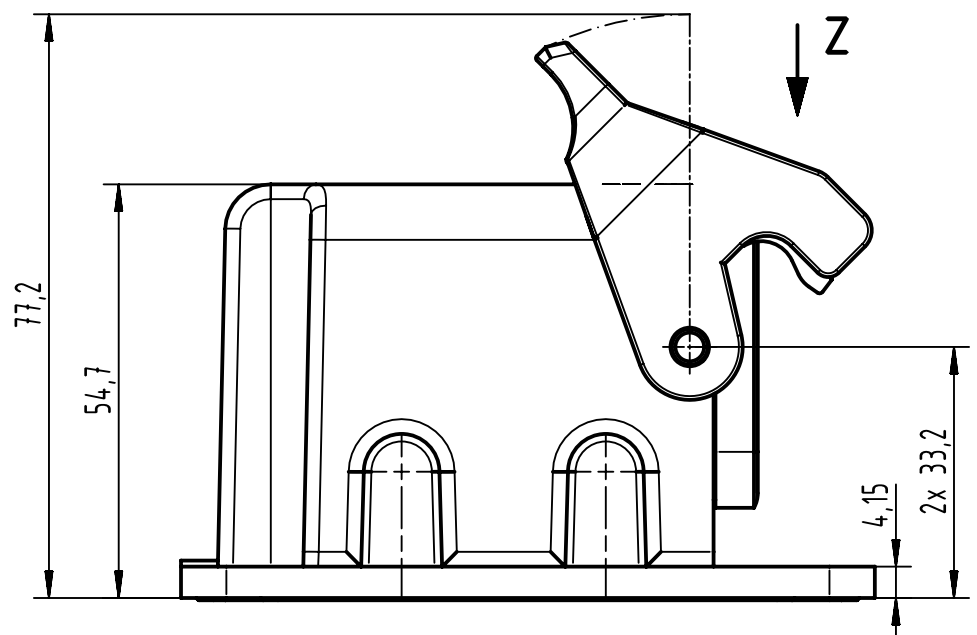
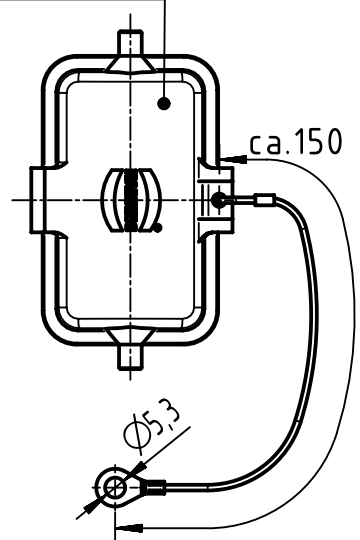
Z(1:2)

4x Ø5,25

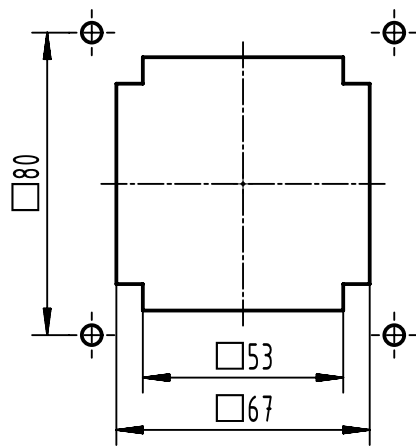
cover separately enclosed



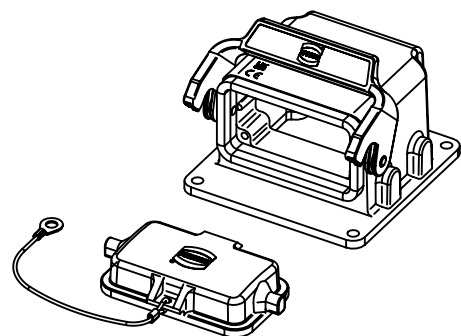
seal



panel cut out (1:2)



housing without coating



	All rights reserved		Scale 1:1		Free size tol.		Ref.		
	Department EL PD		Created by HELLMANN		Inspected by GERB		Standardisation		
HARTING D-32339 Espelkamp		Title Terminal housing f. motor Han 10B lever,		Date 2021-09-23		State Final Release		Doc-Key / ECM-Nr. 100190941/UGD/004/C 500000202454	
		Type TB		Number 09 30 410 0983		Rev. C		Page 1/1	