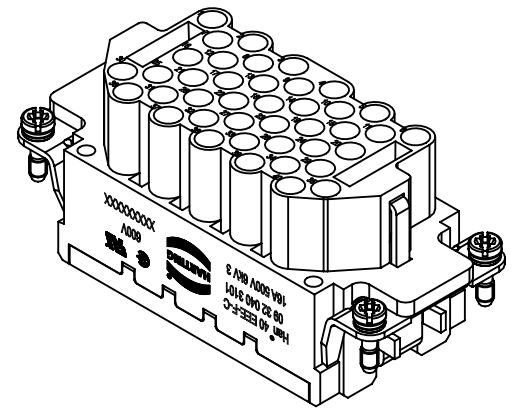
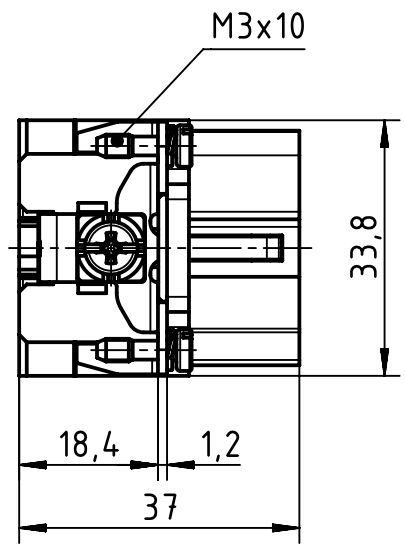
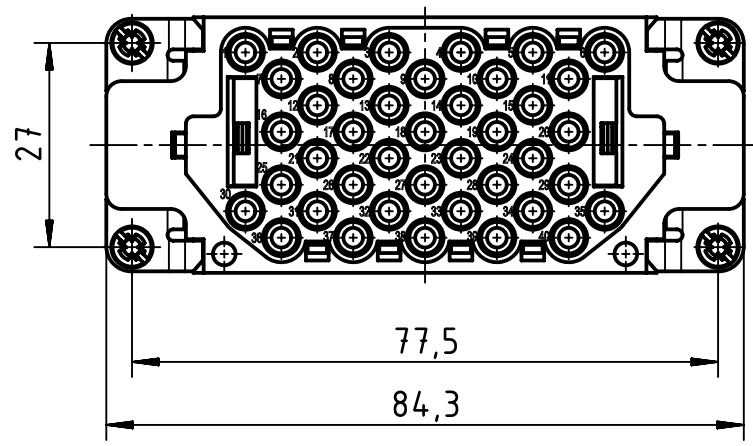
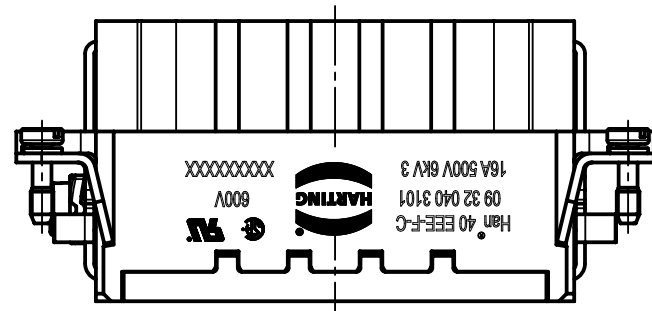
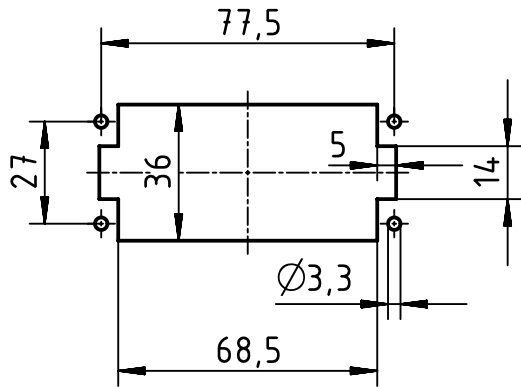


panel cut out (1:2)



	All rights reserved Department EL PD	All Dimensions in mm Original Size DIN A4		Scale 1:1	Free size tol.	Ref. Sub. TB 09 32 040 3101 v. 02.04.09	
		HARTING Electric GmbH & Co. KG D-32339 Espelkamp	Created by RULLKOETTER	Inspected by BERGHORN	Standardisation TIEMANNA	Date 2019-08-20	State Final Release
		Title Han 40 EEE-F-C					Rev. B
		Type TB	Number 09 32 040 3101				Page 1/1