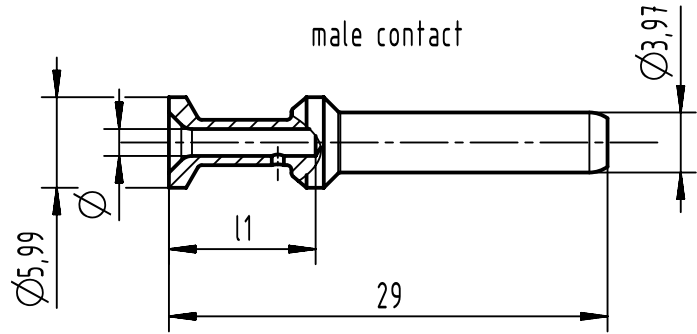
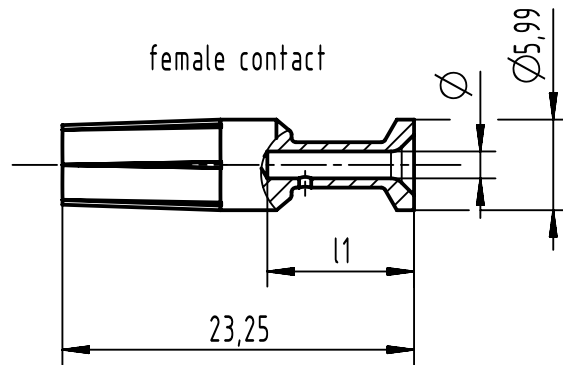


1 2 3 4 5 6

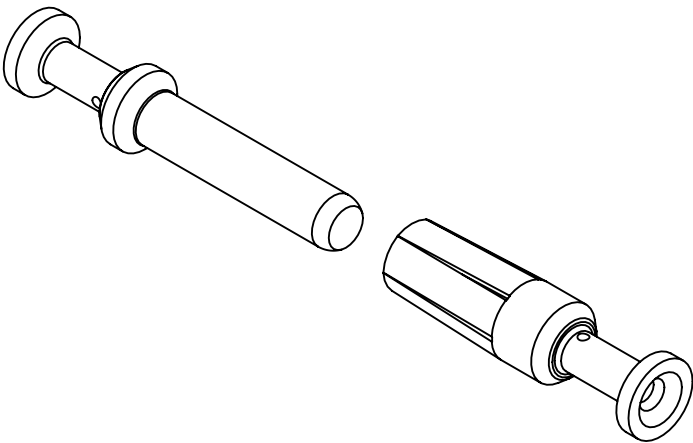
A



B



C



D

part no. 09 32 200...		Ø	wire gauge		crimp hole depth l1	stripping length	recommended crimping tools			
male contact	female contact		mm ²	AWG			09 99 000 0888	09 99 000 0110	09 99 000 0001	09 99 000 0377
6117	6227	4,33	10,0	8	9,7	depending on isolation body				
6118	6228	3,53	6,0	10	9,7	9,5				
6119	6229	2,88	4,0	12	9,7					
6116	6226	2,58	3,0	12	9,7					
6115	6225	2,28	2,5	14	9,7					
6114	6224	1,78	1,5	16	9,7					

	All Dimensions in mm Original Size DIN A4	Scale 2:1	Free size tol.		Ref.		
	All rights reserved Department EL PD	Created by HELLMANN	Inspected by RIEPE	Standardisation SAP_WFRT	Date 2022-01-24	State Final Release	
Title Han C-HMC-male/female contacts-crimp-Au					Doc-Key / ECM-Nr. 100821744/UGD/010/H 500000209279		
HARTING D-32339 Espelkamp		Type TB	Number 09 32 200 6XXX			Rev. H	Page 1/1