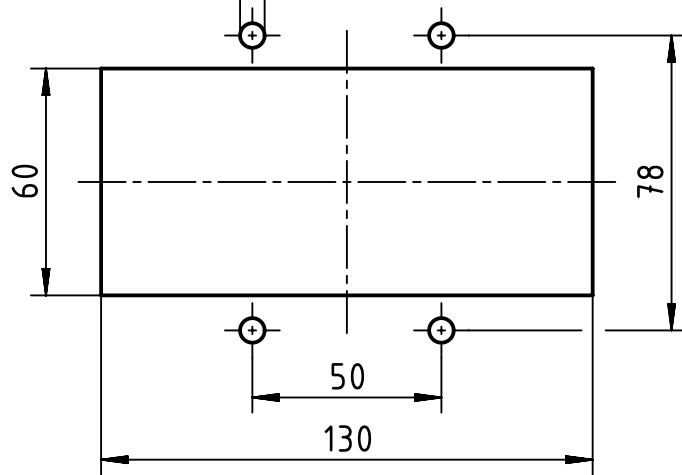



panel cut out (1:2)
(Ø6,5)



	All Dimensions in mm Original Size DIN A4		Scale 1:2	Free size tol.		Ref.
	All rights reserved		Created by ZHUANGJ	Inspected by LUOK	Standardisation 302077	Sub.
Department EL PD		Title Han 16HP Direct/EMC-PFT-Housing-TE-M40		Date 2021-02-23	State Final Release	
HARTING D-32339 Espelkamp		Type TB	Number 19 39 816 1123		Doc-Key / ECM-Nr. 100746498/UGD/001/E 500000187461	Rev. E
						Page 1/1