

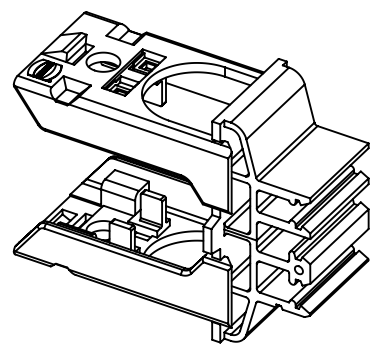
rail EN 50022-35x7,5
or -35x15

C-rail EN 50024-C 30

G-rail EN 50035-G 32

Han Snap insert-mounting
and carrier element sizes 6,10
mounted on rail 35x7,5

usable for all inserts of series Han B



	All Dimensions in mm Original Size DIN A4		Scale 1:1	Free size tol.		Ref. Sub. TB 09 33 000 9988 v. 24.02.12		
		All rights reserved Department EL PD - DE		Created by RULLKOETTER	Inspected by SUNDERMEIER	Standardisation RUETERA	Date 2018-03-22	State Final Release
HARTING Electric GmbH & Co. KG D-32339 Espelkamp				Title Han-Snap Standard Rail Fixing Type 6/10			Doc-Key / ECM-Nr. 100088816/UGD/003/A 500000132874	
				Type TB	Number 09 33 000 9988		Rev. A	Page 1/1