

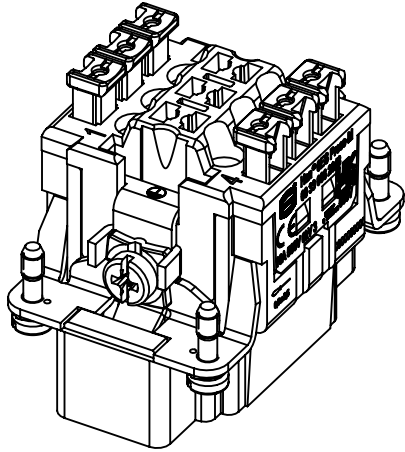
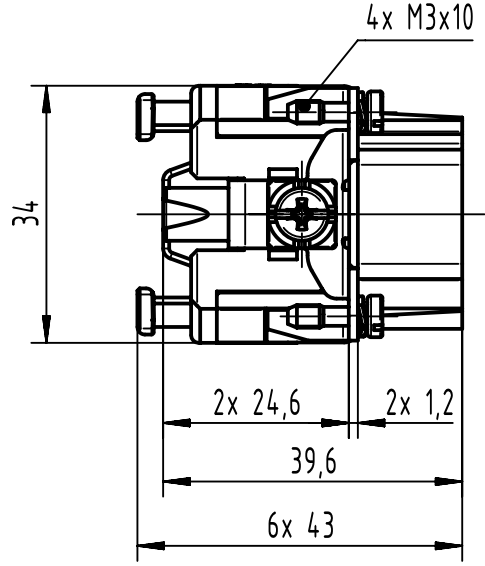
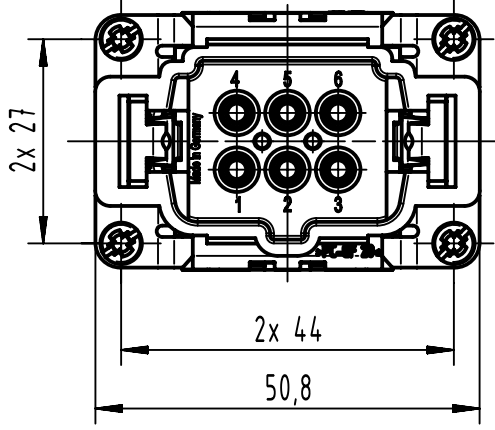
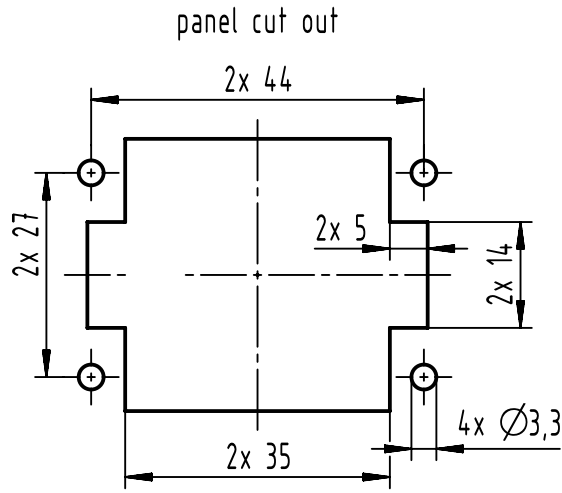
1 2 3 4 5 6

A

B

C

D



	All Dimensions in mm Original Size DIN A4		Scale 1:1	Free size tol.		Ref.
						Sub.
	All rights reserved		Created by SPRENB	Inspected by RUETERA	Standardisation SAP_WFRT	Date 2022-03-09
	Department EL PD		Title Han 6ES Press - M			State Final Release
HARTING D-32339 Espelkamp			Type TB	Number 09 33 006 2648		Doc-Key / ECM-Nr. 100616097/UGD/001/F 500000213241
					Rev. F	Page 1/1