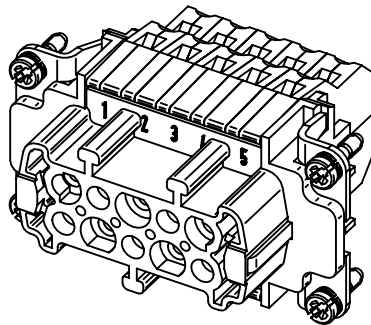
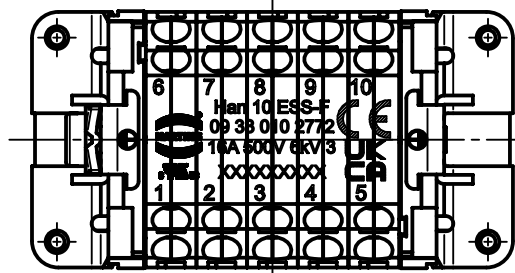


A ↻ 180°



	All Dimensions in mm Original Size DIN A4		Scale 1:1	Free size tol.		Ref.	
						Sub.	
	All rights reserved		Created by BALSAN	Inspected by 402602	Standardisation SAP_WFRT	Date 2022-01-21	State Final Release
	Department EL PD		Title Han ESS 10 Pos. F Insert Double Cage Cla			Doc-Key / ECM-Nr. 1001301179/UGD/003/C 500000210153	
HARTING D-32339 Espelkamp		Type TB	Number 09 33 010 2772			Rev. C	Page 1/1