

1

2

3

4

A

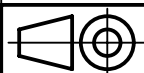
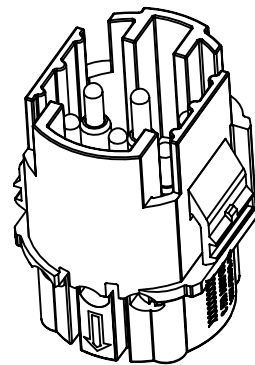
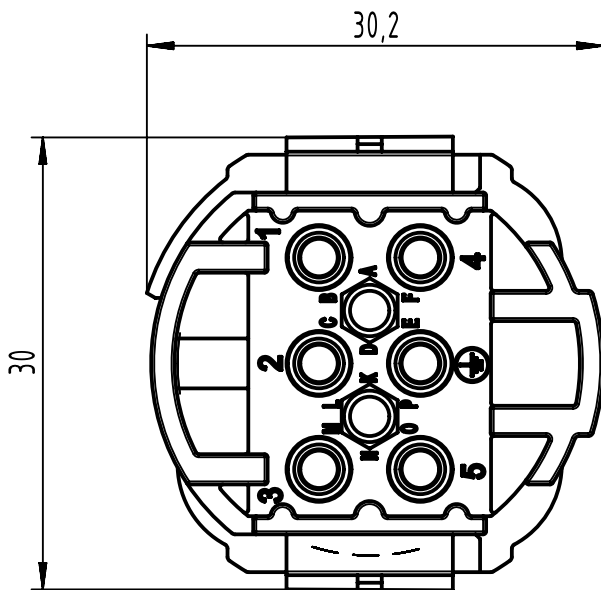
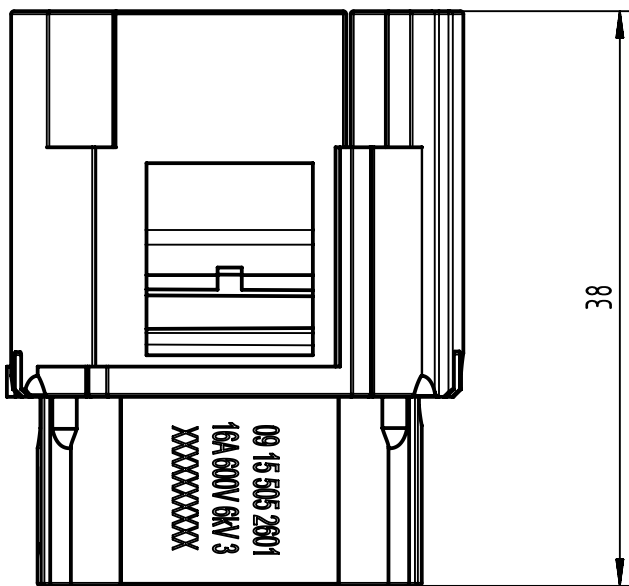
B

C

D

E

F



All Dimensions in mm  
Original Size DIN A4

Scale  
2:1

Free size tol.

Ref.

Sub.



All rights reserved

Department EL PD

Created by  
YUA

Inspected by  
WANGSTE

Standardisation  
302077

Date  
2021-04-06

State  
Final Release

HARTING  
D-32339 Espelkamp

Title  
Han F+B 5E SMC MI SCT 0,75 - 2,5 mm<sup>2</sup>

Doc-Key / ECM-Nr.  
100900837/UGD/001/A  
500000192235

Type  
TB

Number  
09 15 505 2601

Rev.  
A

Page  
1/1