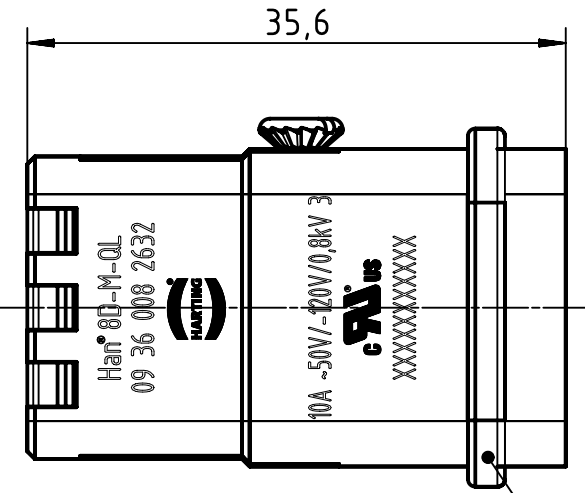
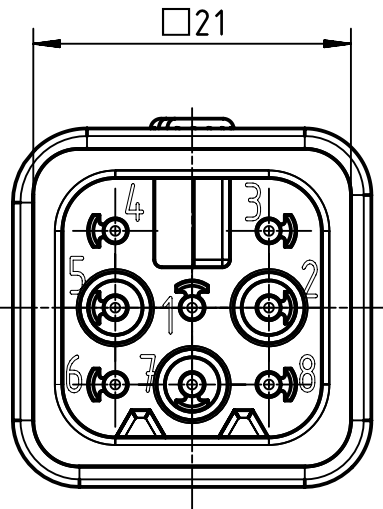


A

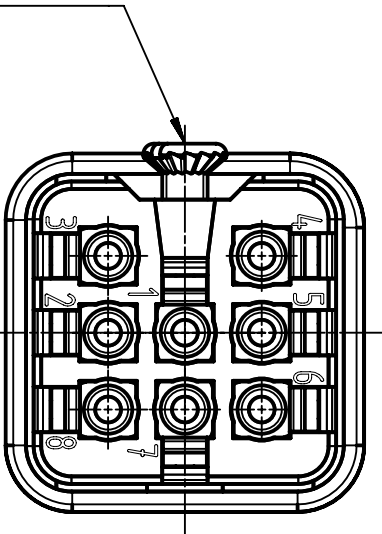
B

C

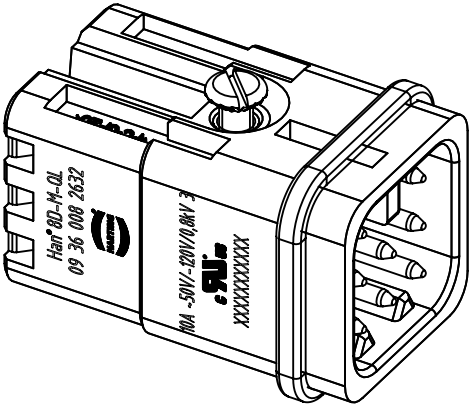
D



insert fixing screw M3x6  
separately enclosed



seal



	All rights reserved Department EL PD	All Dimensions in mm Original Size DIN A4		Scale 2:1	Free size tol.	Ref.
		HARTING Electric GmbH & Co. KG D-32339 Espelkamp	Created by HOLLERT	Inspected by NICHTERLEIN	Standardisation 302077	Date 2020-10-29
Title Han 8D-M Quick Lock 1,5mm <sup>2</sup>						Doc-Key / ECM-Nr. 100177491/UGD/004/E 500000169457
Type TB				Number 09 36 008 2632		Rev. E
						Page 1/1