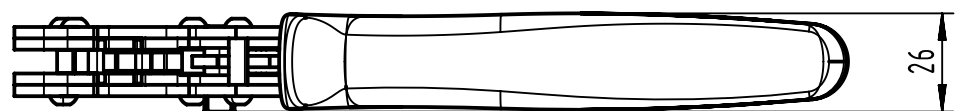


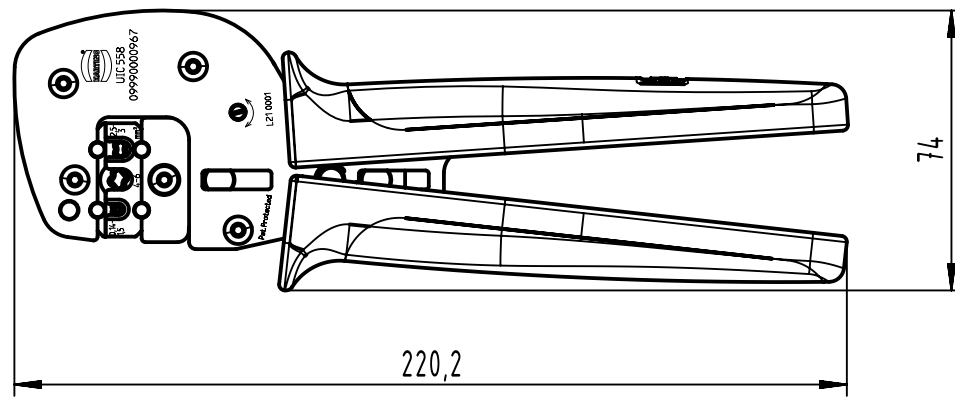
1 2 3 4 5 6

A



26

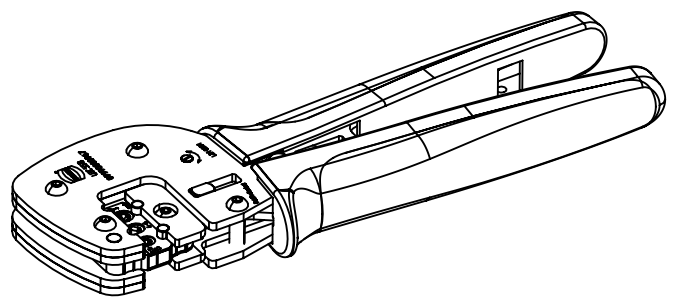
B




74

220,2

C



D

	All rights reserved		Created by HOLLERT		Inspected by RIEPE		Standardisation		Date 2021-12-09		State Final Release	
	Department EL PD		Title Hand crimping tool UIC 558		Doc-Key / ECM-Nr. 100987523/UGD/001/A 500000207725		Type TB		Number 09 99 000 0967		Rev. A	
HARTING D-32339 Espelkamp			All Dimensions in mm Original Size DIN A4		Scale 1:2		Free size tol.		Ref.		Sub.	