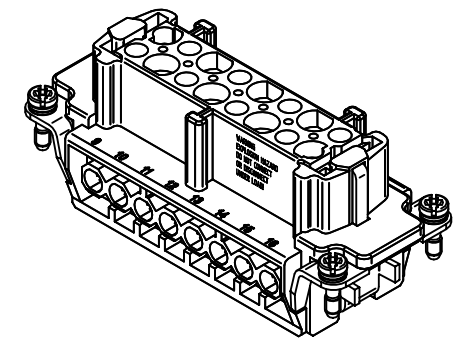
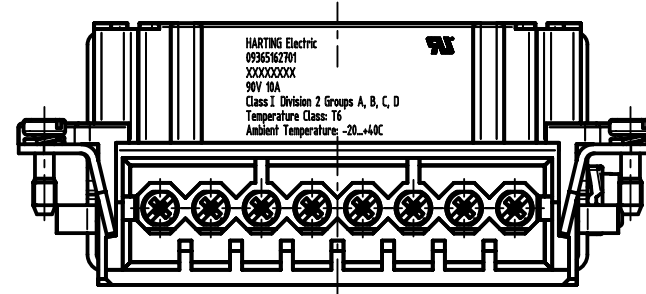
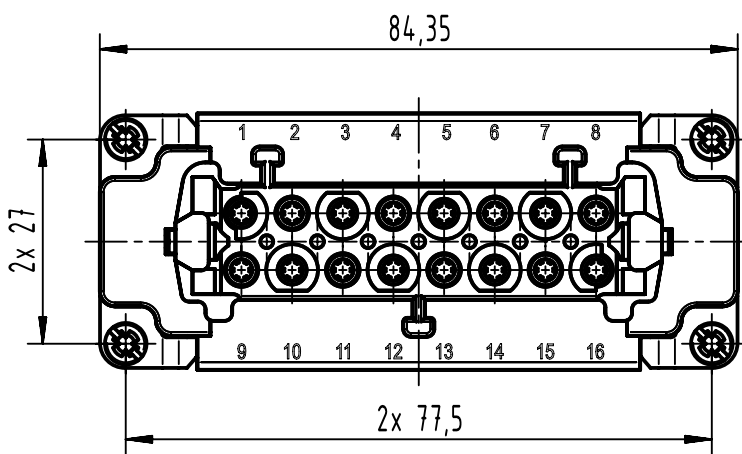
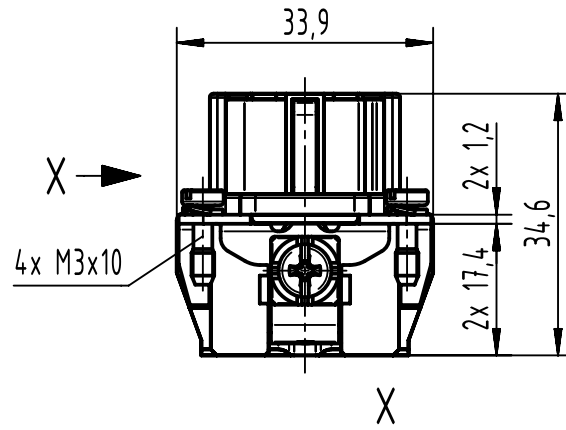
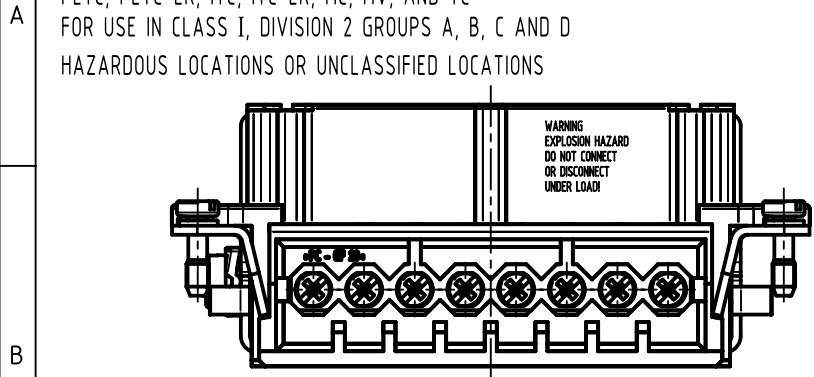


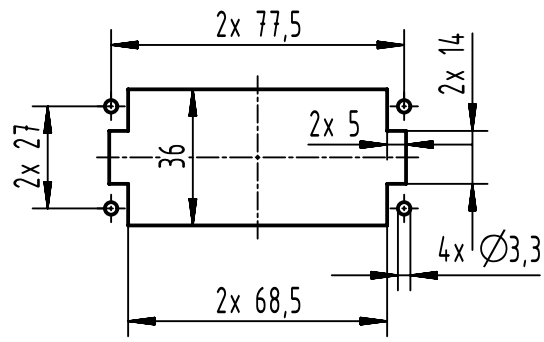
FOR USE WITH HAN 16E SCREW: AWG 16
 FOR USE WITH Cable Type:
 PLTC, PLTC-ER, ITC, ITC-ER, MC, MV, AND TC
 FOR USE IN CLASS I, DIVISION 2 GROUPS A, B, C AND D
 HAZARDOUS LOCATIONS OR UNCLASSIFIED LOCATIONS

THE INSTALLATION MUST BE IN ACCORDANCE WITH THE ASSOCIATED LOCATION RESTRICTIONS OF THE NATIONAL ELECTRIC CODE OR CANADIAN ELECTRICAL CODE AS APPLICABLE, INCLUDING ISSUES SUCH AS THE ROUTING, SUPPORT AND LENGTH OF THE INVOLVED CORD OR CABLE.

WARNING
 EXPLOSION HAZARD
 DO NOT CONNECT
 OR DISCONNECT
 UNDER LOAD!



panel cut out (1:2)



	All rights reserved Department EL PD	All Dimensions in mm Original Size DIN A4	Scale 1:1 Free size tol.	Ref. Sub.
	HARTING D-32339 Espelkamp	Created by HELLMANN Inspected by SCHNIEDER Standardisation SAP_WFRT	Date 2022-06-03 State Final Release	Doc-Key / ECM-Nr. 100669629/UGD/001/E 500000218293 Rev. E Page 1/1
Title Han 16Ex-UL-F-s		Type TB Number 09 36 516 2701		